



VIDRAFLAM







MODEL

VIDRAFLAM
double leaf, double acting



MODEL

VIDRAFLAM

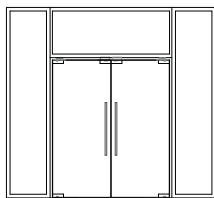
description

Fully glazed swing fire door with wooden frame. It contains intumescent seals that ensure the necessary tightness against flames and hot gases.

The system allows to increase the transparency area with the addition of fixed glass panels: side panel and overpanel.

The hydraulic door closer embedded in the pavement works as a lower pivot, allowing the double action movement (swinging) and self-closing (C) in the middle point, when the door is closed.

specification



model | typology

VIDRAFLAM | double leaf, double acting

test classification

FR integrity (EN 1634-1)

both sides

E 45

FR integrity and insulation (EN 1634-1)

EI₁ 45 / EI₂ 45

resistance to repeated opening and closing maneuvers (EN 1191)

C5

classification according to standard EN 13501-2

dimensions (mm)

	free passage	side panel	overpanel
W x H (standard) ⁽¹⁾	1400 / 1600 / 1800 x 2000 / 2100	–	–
W maximum ⁽²⁾	2354	673	2565
H maximum ⁽²⁾	2646	3473	788
maximum area (m ²)	5.59 m ²	2.12 m ²	1.83 m ²
external frame (standard)	W + 254 x H + 35	–	–

⁽¹⁾ W x H = width x height = free passage

⁽²⁾ width and height must be considered together with the maximum area indicated

construction

leaf thickness (mm)

36

leaf weight (kg/m²)

65

hinges (per leaf)

1

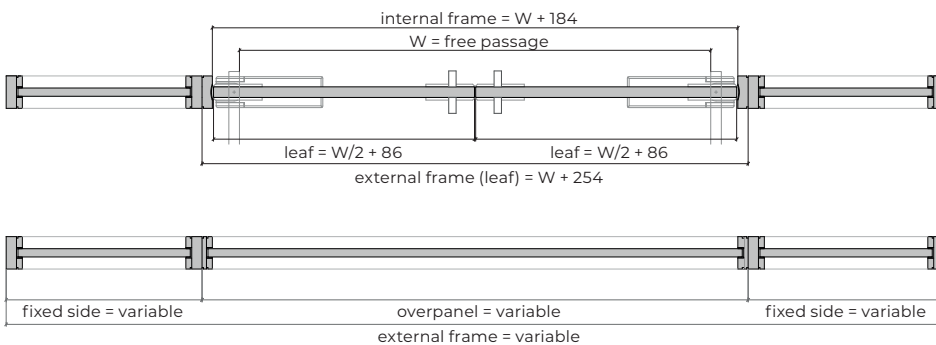
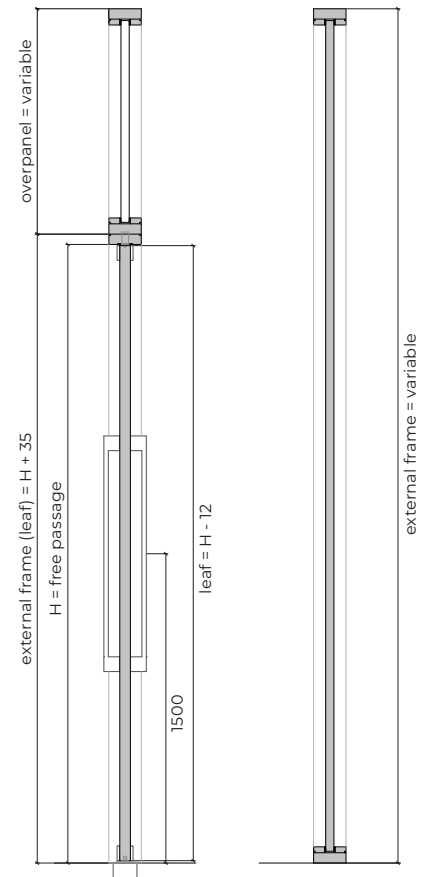
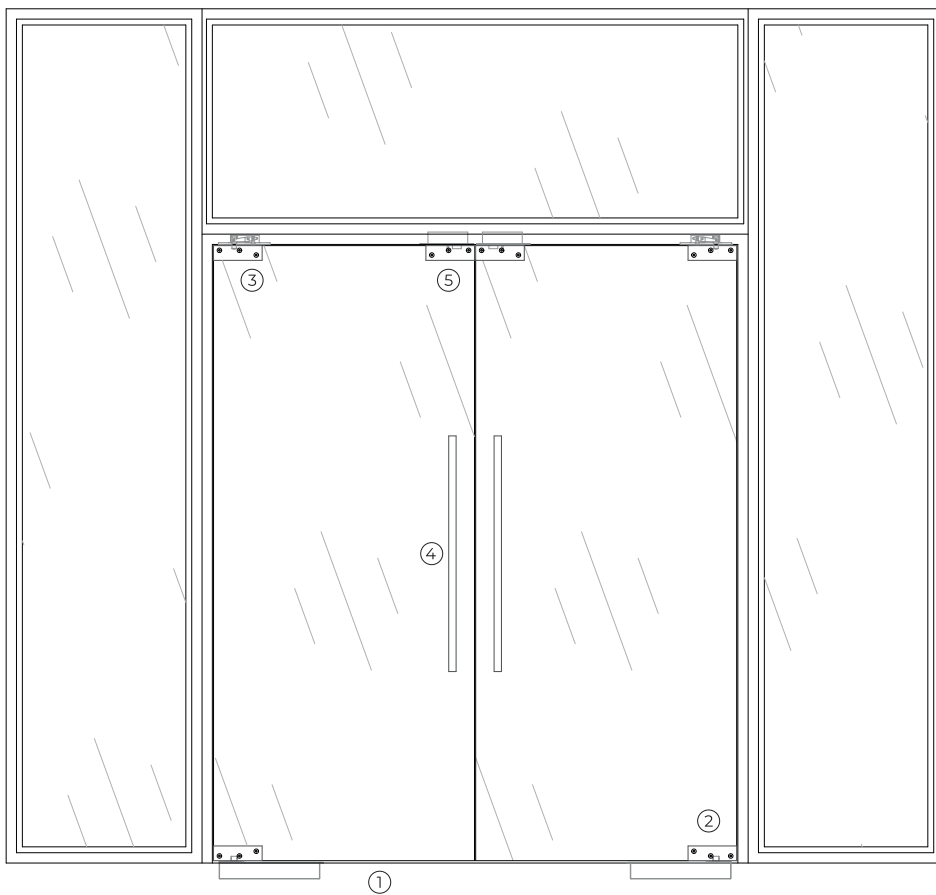
frame finishing (standard)

wood

frame finishing (optional)

standard RAL lacquering ⁽³⁾ / stainless steel

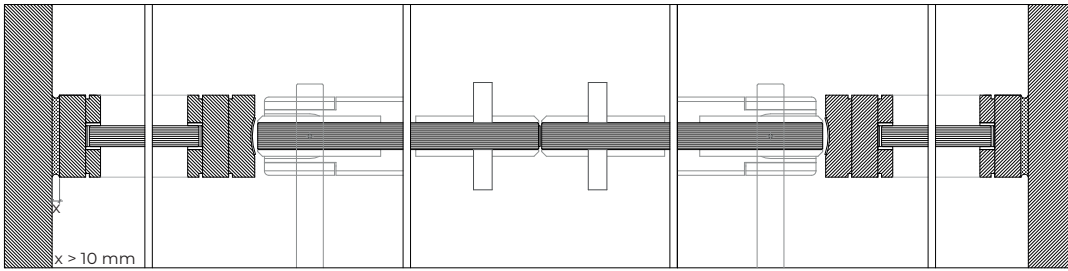
⁽³⁾ standard RAL colors = 7035, 7038, 9005, 9010 and 9016



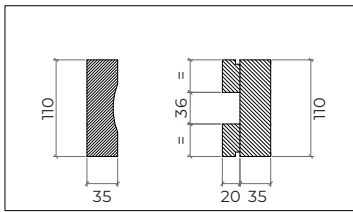
accessories and hardware

- | | | |
|---|----------|---|
| 1 | standard | floor spring + bottom pivot |
| 2 | standard | stainless steel bottom bracket |
| 3 | standard | top pivot + stainless steel top support |
| 4 | standard | stainless steel fixed handle |
| 5 | optional | electric lock imbedded + stainless steel strike plate |

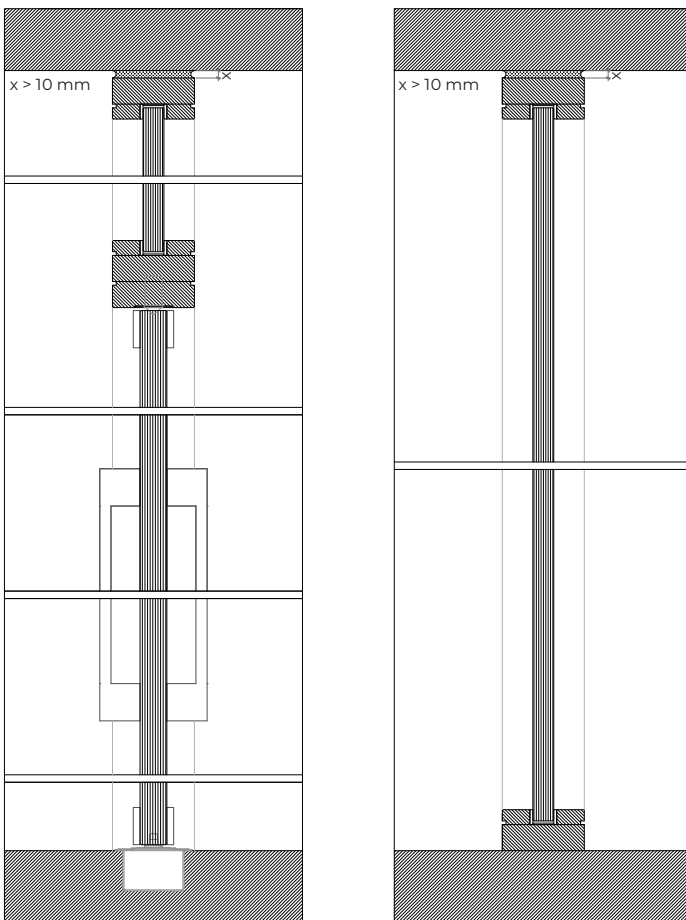
details



standard frame | concrete wall mounting | fixation with expandable foam



modified frame | concrete wall mounting | fixation with expandable foam



modified frame | concrete wall mounting | fixation with expandable foam

All drawings are quoted in millimeters.

GROUP COMPANY



TRIA SA.

Parque Ind. Manuel Lourenço Ferreira - Lt.43
3450 - 232 Mortágua, Portugal
//+351 231 927 480 //geral@tria.pt

www.tria.pt

VERS.**03**.22A