

PRODUCT FEATURES

VENTRA STERLING F is a multi louvred ventilator that provides an economic, non powered method of ventilation, allowing the removal of large quantities of warm air and / or smoke from a building within a short period of time.

The VENTRA STERLING F is a further development on the already proven VENTRA F but is a response to the increased requirements for air tightness and thermal insulation in certain building designs and applications worldwide. The VENTRA STERLING F is suitable for façade fresh air supply, air and smoke extraction and also façade natural lighting.

The vents are manufactured according to ISO 9001 quality control standards. The vents are formed from high quality corrosion resistant aluminium to ensure low maintenance requirements and water tightness.

Various methods of operation using pneumatic or electric actuators are available. The ventilator design produces a versatile economic unit suitable for a wide range of applications. Available on large dimensions, up to 2400 x 3826 mm (width x length) for HB, 2400 x 3804 mm (width x length) for LB.



Ventra sterling-f



TYPICAL APPLICATIONS

Versatile scope of applications on roofs and facades, with an installation angle range from 0° to 90°. Installations: Industrial buildings, warehouses, logistics centres, shopping centres, atria, schools, stairwells, among others.

MATERIALS

Tempered aluminium, sea water and corrosion resistant (EN AW 5754).
Corrosion resistant bearings.
Built-in weather resistant hydrophobic tape.

Note: aluminum is supplied untreated as standard. Possibility of being supplied with electrostatic painting (in any RAL color).

DIMENSIONS

Roof opening width: 300 - 2400 mm.

Roof opening length: 746 - 3826 mm (17 louvres, max.) for HB, 737 - 3804 mm (17 louvres, max.) for LB.

OPENING ANGLE

Individual adjustable from 0° up to 90°.

CONTROLS NATURAL VENTILATION

P1: single pipe compressed operation.

P2: double pipe compressed air operation.

M230V: electric motor.

CONTROLS FIRE VENTILATION

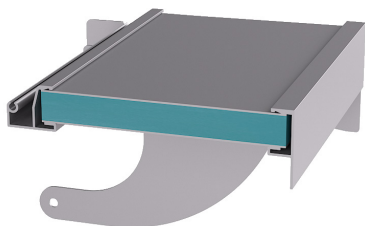
P1F: single pipe compressed air operation with fire function.

P2F: double pipe compressed air operation with fire function.

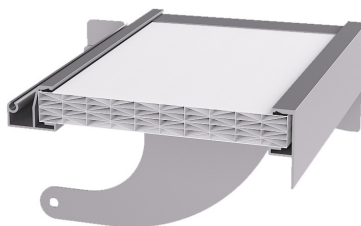
M24V: electric motor.

LOUVRES

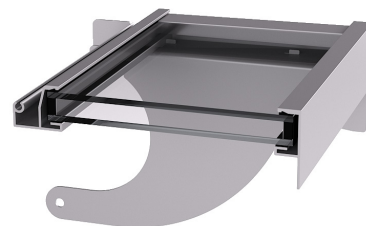
- SW** Sandwich panel 25 mm, U-Value=1,65 (W/(m².K))
- PC25** Polycarbonate 25 mm / 9-X structure, clear or opal, U-Value=1,4 (W/(m².K))
- GLASS** Insulated double glass 25 mm, U-Value= 1,1 (W/(m².K))



SW



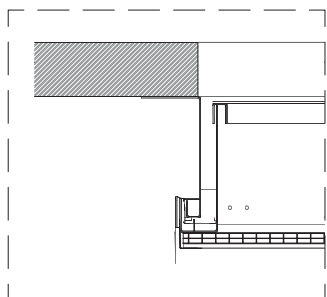
PC25



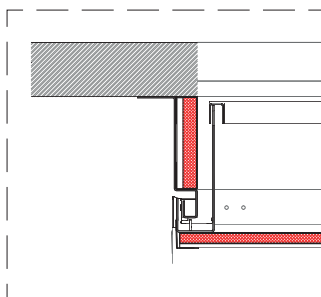
GLASS

BASES

- Single aluminium.
- Double wall aluminium with insulation (just for HB).



DETAIL 02
single aluminium

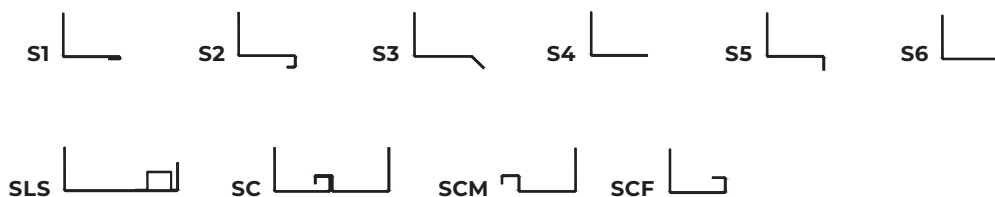


DETAIL 02
Double wall aluminium with
insulation (just for HB).

FLANGES

- S1** Flange for single glass.
- S2** Flange for double glass.
- S3** Flange for roofs, 45° bended.
- S4** Flange for roofs and facades.
- S5** Flange for upstand, 90° bended downwards.
- S6** Flange 90° bended upwards.
- SLS** Flange for skylight connection, for different polycarbonate thicknesses.
- SC** Flange for connection with other flange (vents connection). Male or female connection.
- SCM** Flange for male connection.
- SCF** Flange for female connection.

Note: custom flange design and insulated flanges upon request.



DIMENSIONS/LOUVRES TABLE, SW/PC25mm

NUMBER OF LOUVRES		3	4	5	6	7	8	9	10	11	12	13	14	15	16	17
WIDTH (mm)	LENGTH (mm)															
300 600 1000 ...	HB	746	966	1186	1406	1626	1846	2066	2286	2506	2726	2946	3166	3386	3606	3826
1800 2000 2400	LB	737	944	1164	1384	1604	1824	2044	2264	2484	2704	2924	3144	3364	3584	3804

DIMENSIONS/LOUVRES TABLE, GLASS

NUMBER OF LOUVRES		3	4	5	6	7	8	9	10	11	12	13	14	15
WIDTH (mm)	LENGTH (mm)													
500-1100	746	966	1186	1406	1626	1846	2066	2286	2506	2726	2946	3166	3386	-
1200-1700														

Note: other dimensions upon request.

WEIGHT

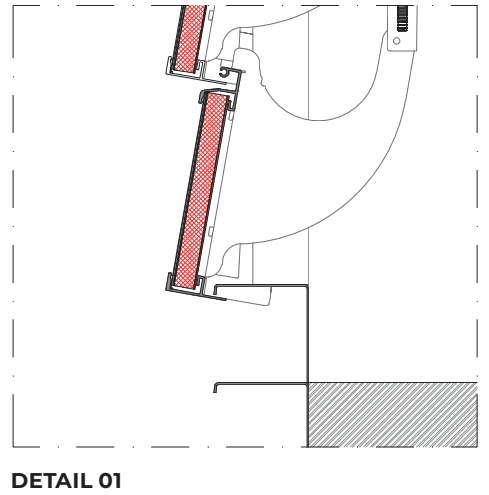
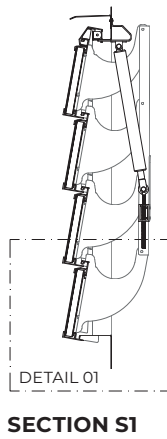
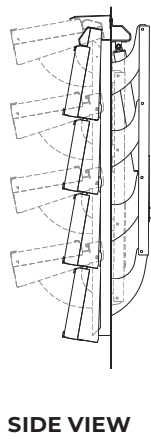
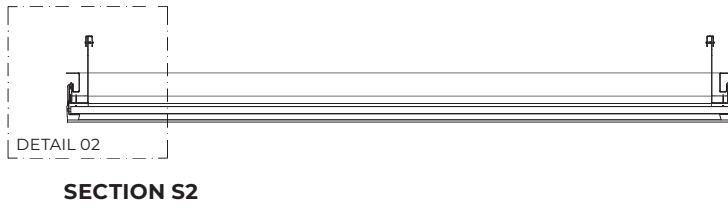
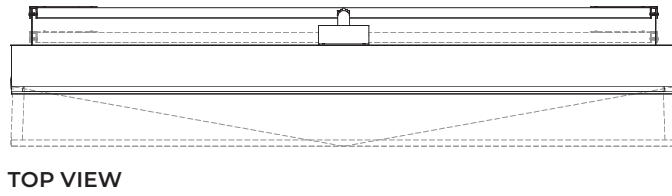
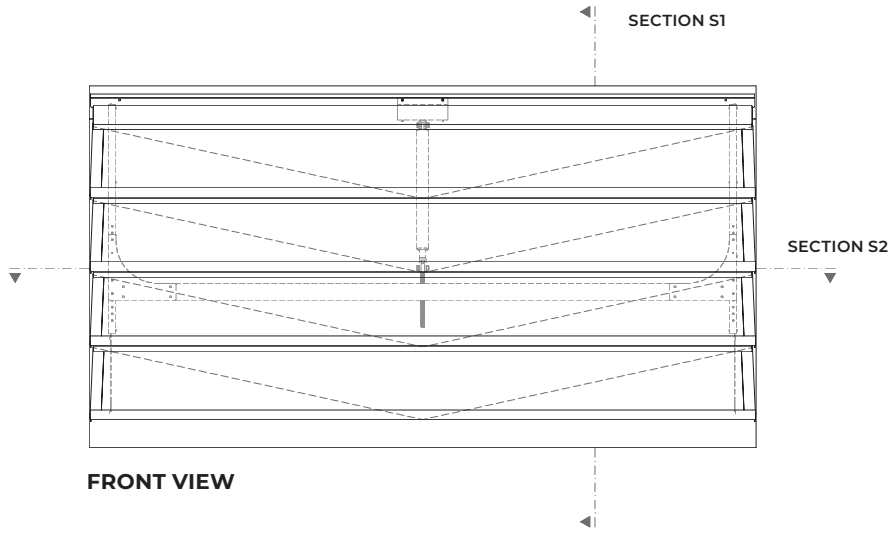
Depends on dimensions and type of infill.

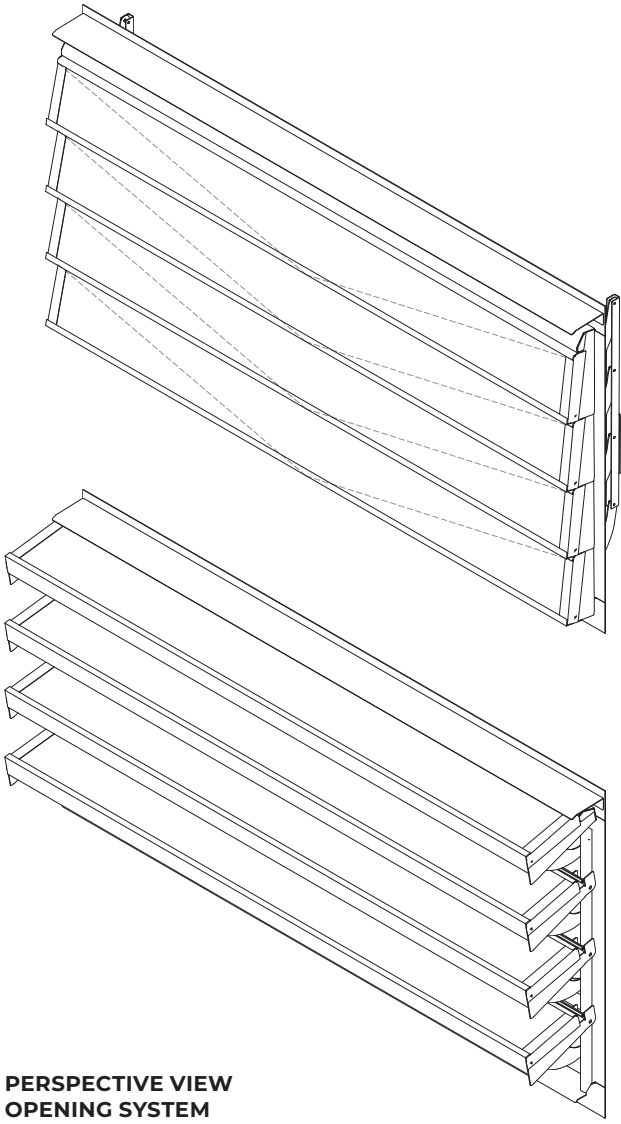
OPTIONS

Custom dimensions.
Powder-coated design (any RAL colour).
Bird or insect mesh.

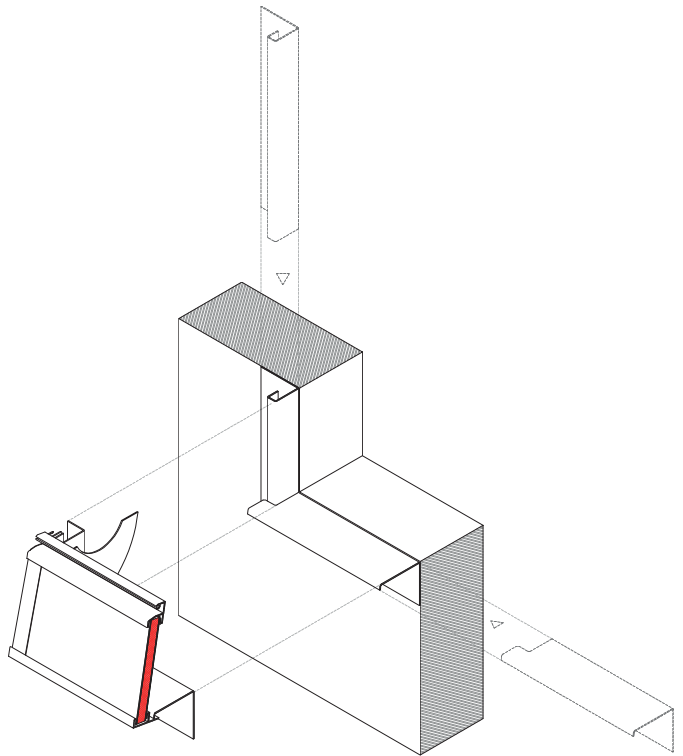
REGULATIONS

The system has been tested and is certified in accordance with EN 12101-2.





PERSPECTIVE VIEW
OPENING SYSTEM



BASE ASSEMBLY PERSPECTIVE