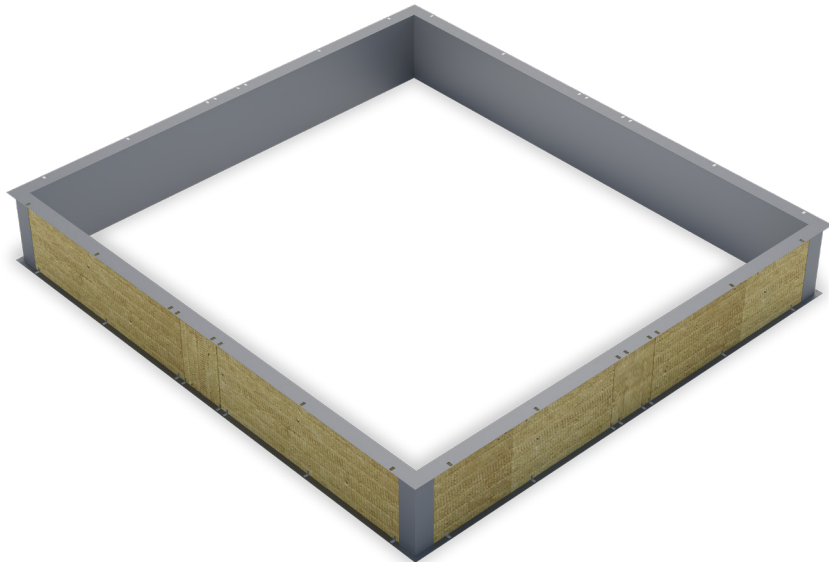
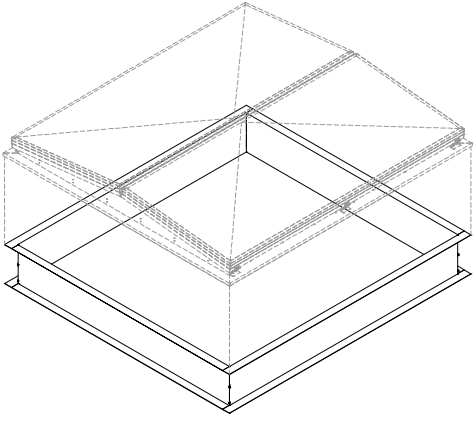


**STANDARD UPSTAND**

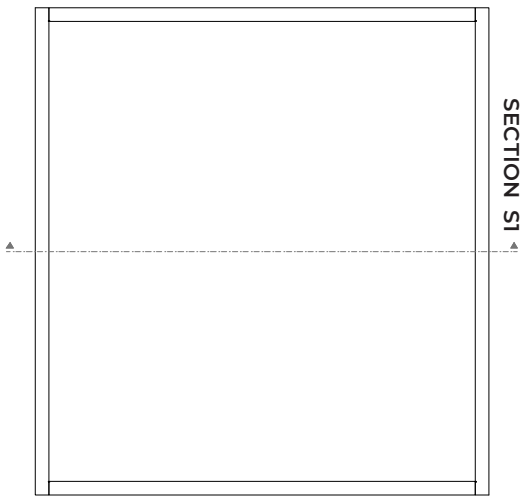


**INSULATED UPSTAND**

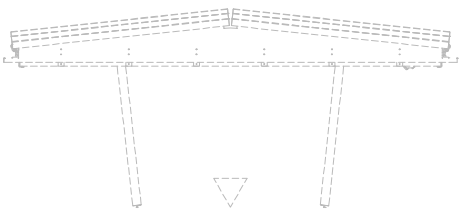
# upstands



**DELTA SHEV STANDART UPSTAND PERSPECTIVE**



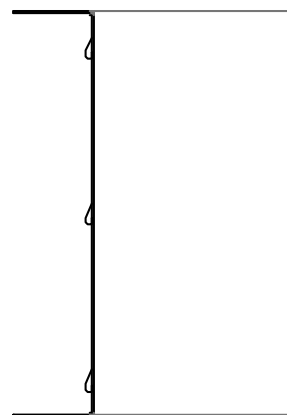
**TOP VIEW**



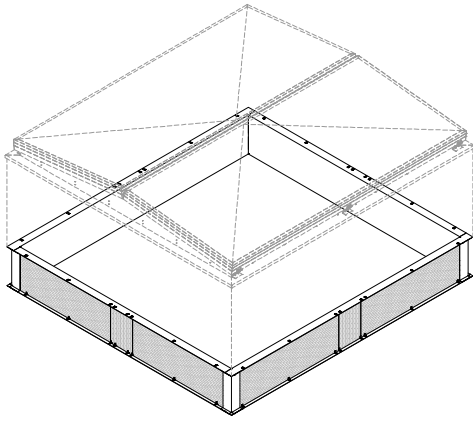
**FRONT VIEW**



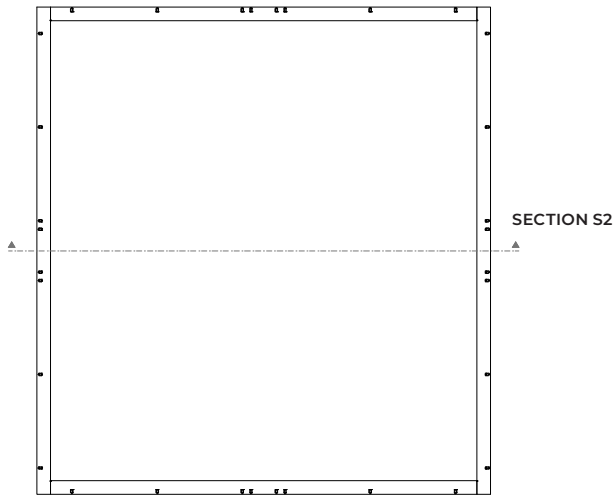
**SECTION S1**



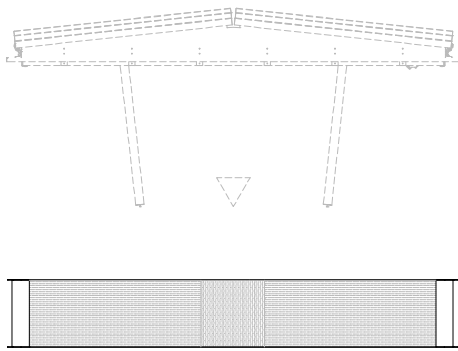
**DETAIL 01  
STANDART UPSTAND**



**DELTA SHEV INSULATED UPSTAND PERSPECTIVE**



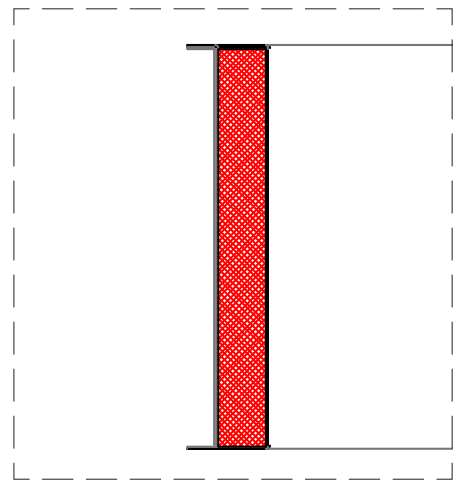
**TOP VIEW**



**FRONT VIEW**



**SECTION S2**



**DETAIL 02 - INSULATED UPSTAND**