



**SX2C.60**

**S SERIES**







**MODEL**

**SX2C.60**  
double hinged leaf



MODEL

**SX2C.60**

## description

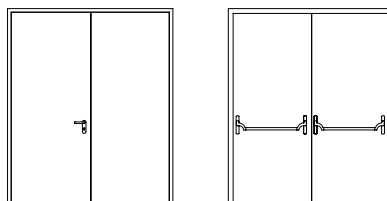
Wooden hinged door with frame and leaf coplanar on both sides. The frame is made of solid wood pieces. Acoustic and intumescent seals ensure the necessary tightness against flames and hot gases, as well as a high acoustic attenuation.

The leaf is made of a solid wood edge and contains acoustic and thermal insulating materials according to TRIA's construction system. An automatic seal can be incorporated into the leaf.

The pivoting behavior of the door is ensured by hidden or visible hinges.

The automatic closing of the leaves is ensured by a hidden or visible door closer.

## specification



model | typology

**SX2C.60** | double hinged leaf

## classification achieved when tested

FR integrity (EN 1634-1) <sup>(1)</sup>	E 60
FR integrity and insulation (EN 1634-1) <sup>(1)</sup>	E <sub>1</sub> 60 / E <sub>2</sub> 60
acoustic (ISO 717 -1)	-- dB

<sup>(1)</sup> classification according to standard 13501-2

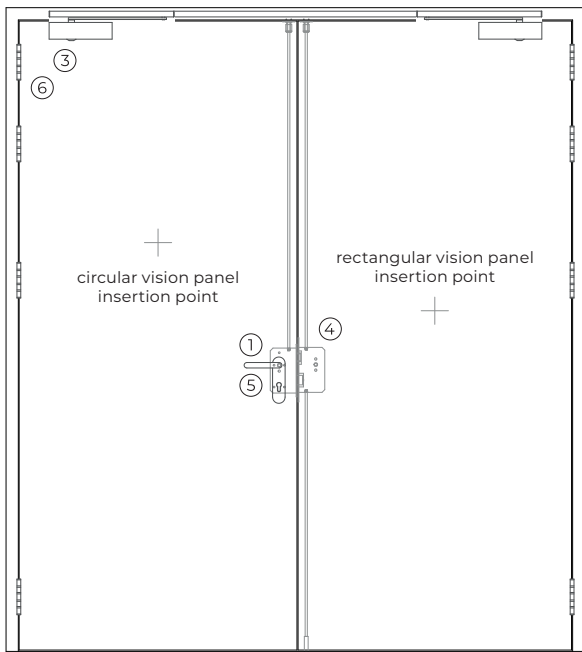
## dimensions (mm)

W x H (standard) <sup>(2)</sup>	1400 / 1600 x 2000 / 2100
W maximum	2450
H maximum	2725
external frame (standard)	W + 124 x H + 62
other dimensions	upon request

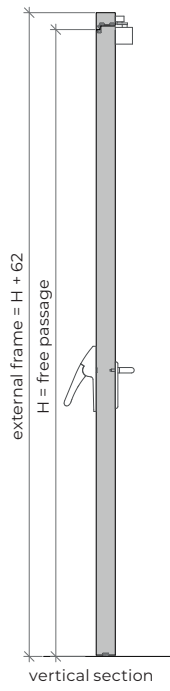
<sup>(2)</sup> W x H = width x height = free passage

## construction

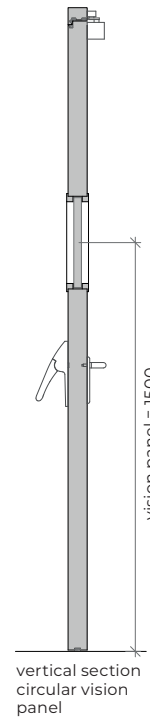
leaf thickness (mm)	70
leaf weight (kg/m <sup>2</sup> )	30
hinges	hidden / apparent
finishing (standard)	mdf to paint
finishing (optional)	veneering in various woods / materials / lacquering
vision panel (optional)	400 mm x 1500 mm   Ø300 mm



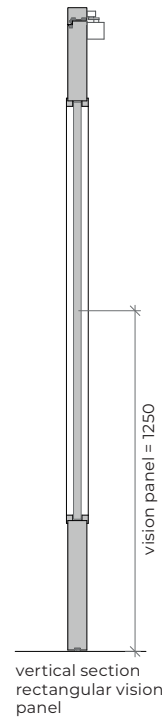
exterior view



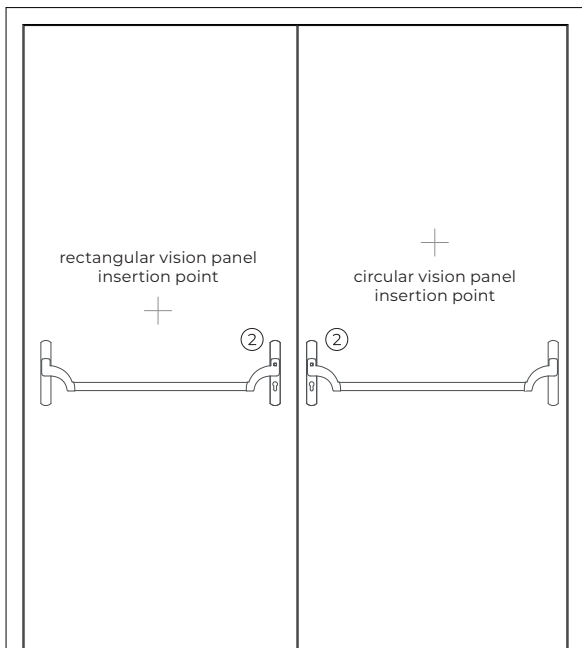
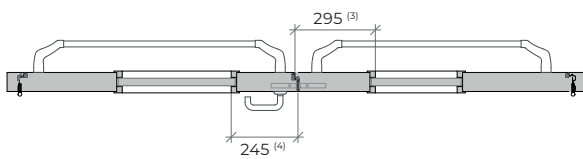
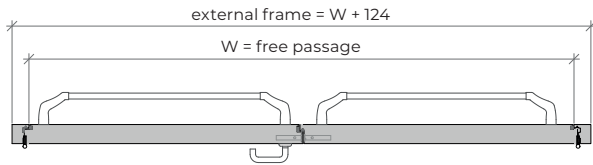
vertical section



vertical section circular vision panel



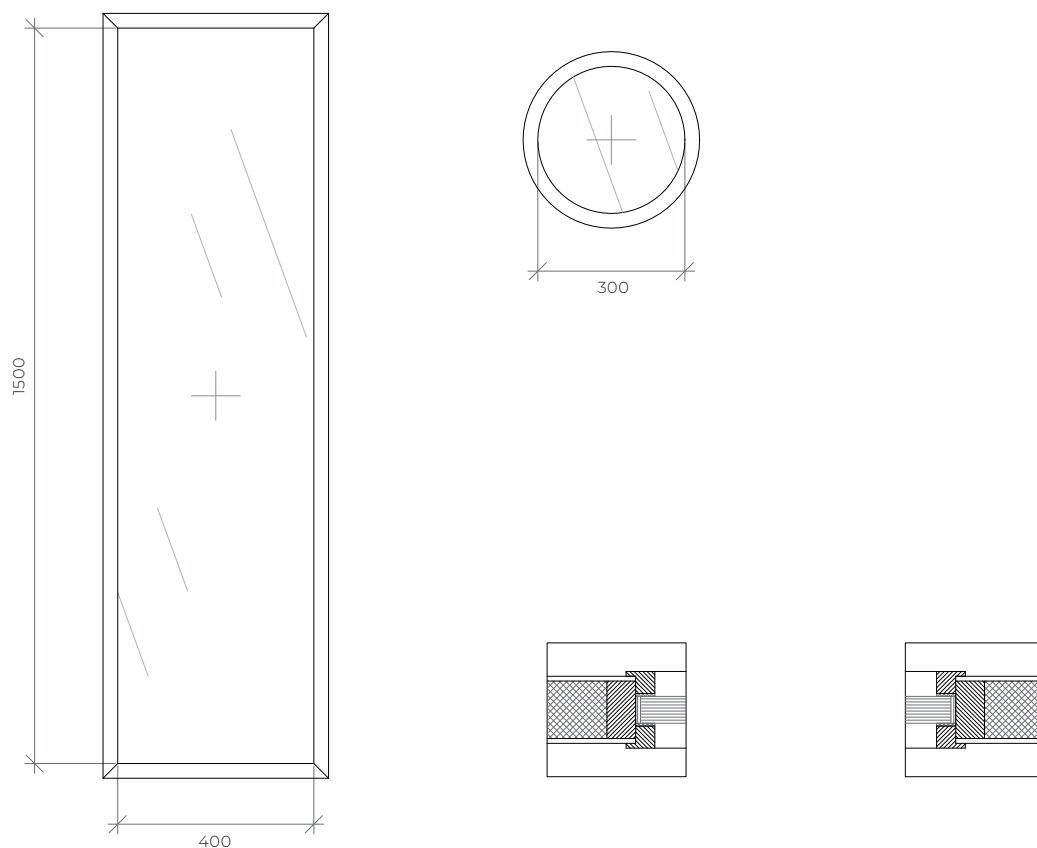
vertical section rectangular vision panel



interior view

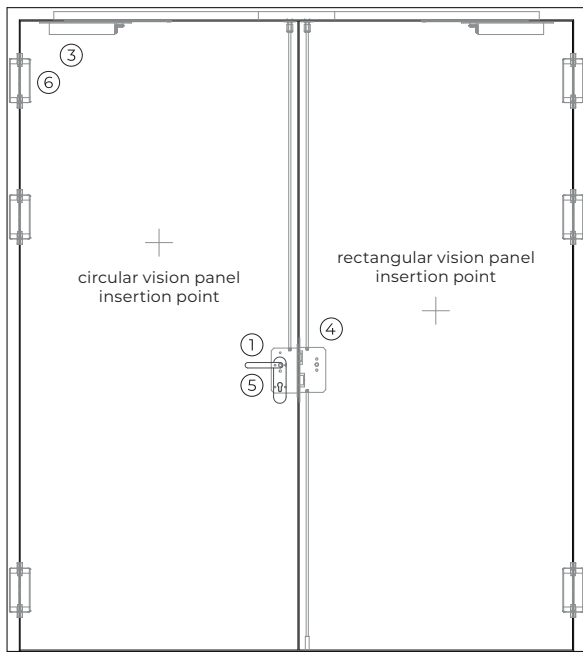
<sup>(3)</sup> minimum distance from the circular vision panel to the edges of the leaf.  
<sup>(4)</sup> minimum distance from the rectangular vision panel to the edges of the leaf.

## optionals

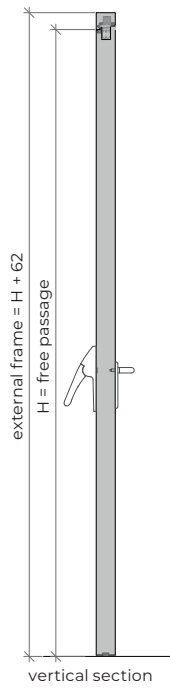


## accessories and hardware

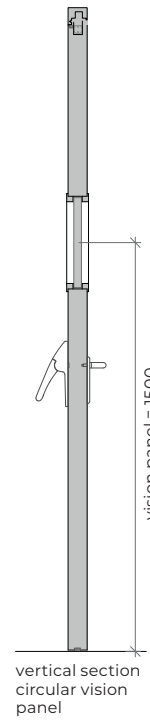
<b>handle / bar <sup>(5)</sup></b>	1	standard	anti-panic lever handle with drill finished in black (standard) or stainless steel.
	2	standard	anti-panic bar with gear unit, tube, cover caps and arms finished in nylon black (standard) or stainless steel.  <sup>(5)</sup> alternatively, the door may be equipped with a pair of handles.
<b>hidraulic door closer <sup>(6)</sup></b>	3	standard	door closers with sliding rail + closing sequence selector  <sup>(6)</sup> with electromagnetic hold-open (optional).
<b>lock / counter lock</b>	4	standard	anti-panic lock + counter lock.
<b>cylinder</b>	5	standard	1/2 cylinder (european profile).
<b>hinges</b>	6	standard	visible hinges of this series.



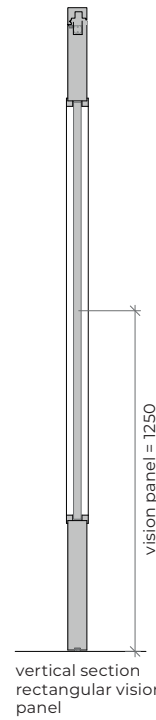
exterior view



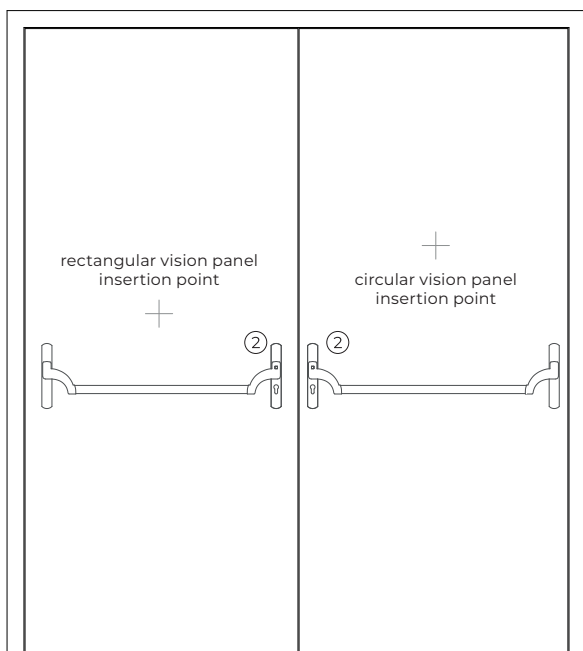
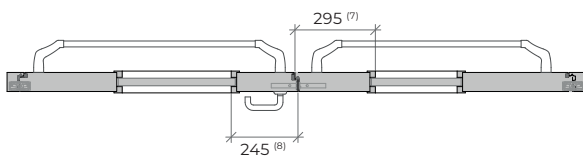
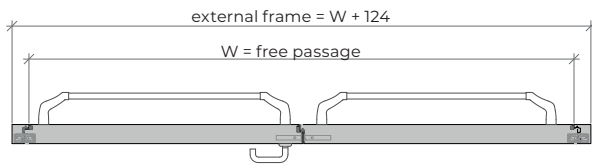
vertical section



vertical section circular vision panel



vertical section rectangular vision panel

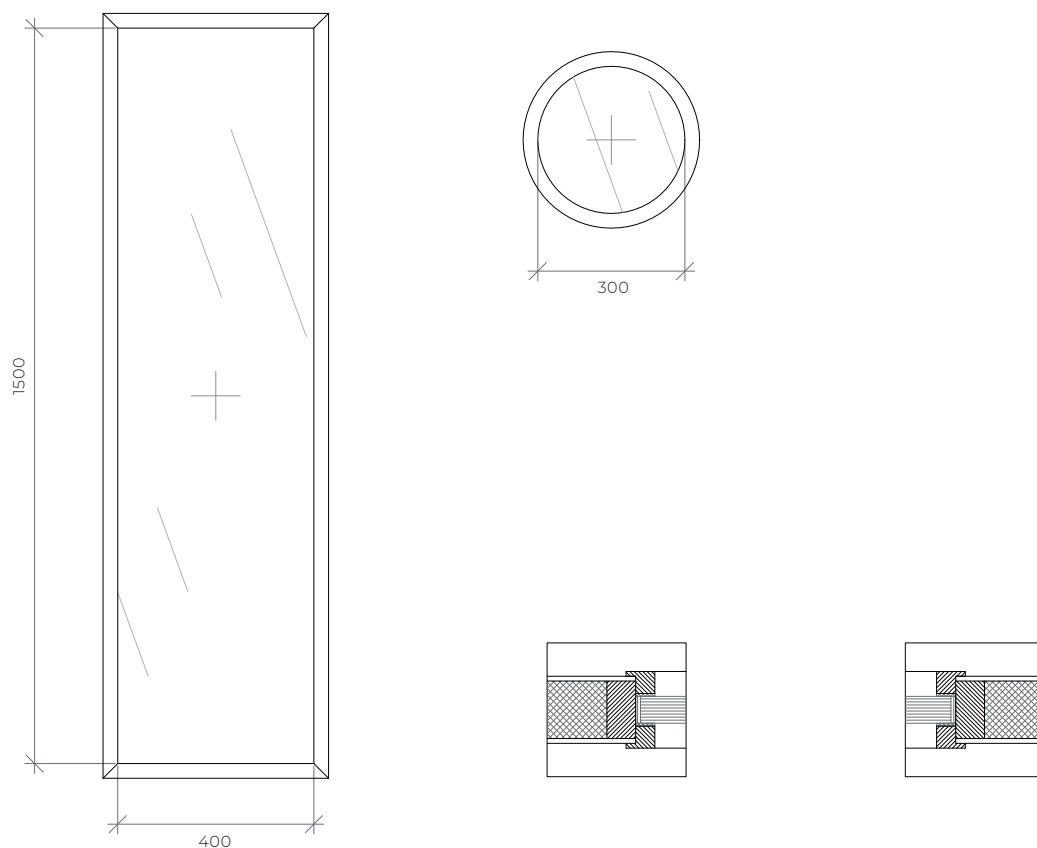


interior view

<sup>(3)</sup> minimum distance from the circular vision panel to the edges of the leaf.  
<sup>(4)</sup> minimum distance from the rectangular vision panel to the edges of the leaf.



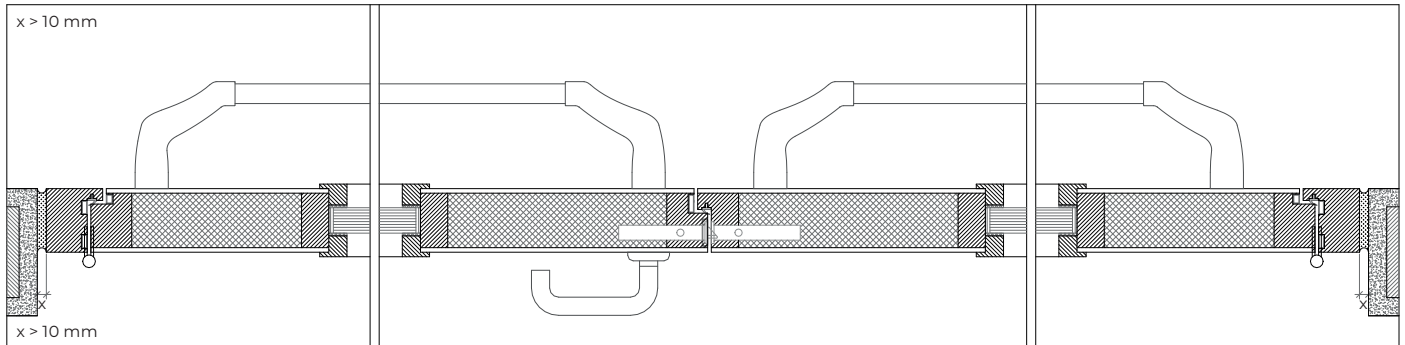
## optionals



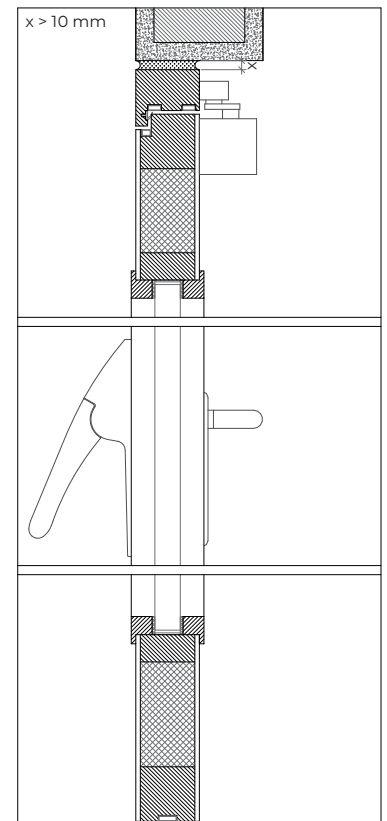
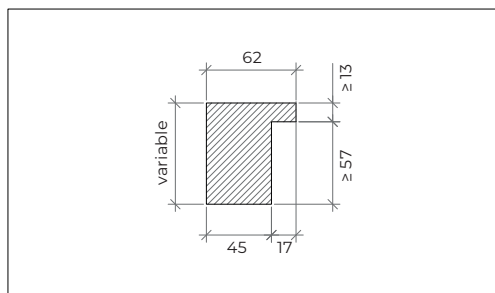
## accessories and hardware

<b>handle / bar <sup>(9)</sup></b>	1	standard	anti-panic lever handle with drill finished in black (standard) or stainless steel.
	2	standard	anti-panic bar with gear unit, tube, cover caps and arms finished in nylon black (standard) or stainless steel.  <sup>(9)</sup> alternatively, the door may be equipped with a pair of handles.
<b>hydraulic door closer <sup>(10)</sup></b>	3	standard	door closers with sliding rail + closing sequence selector.  <sup>(10)</sup> with electromagnetic hold-open (optional).
<b>lock / counter lock</b>	4	standard	anti-panic lock + counter lock.
<b>cylinder</b>	5	standard	1/2 cylinder (european profile).
<b>hinges</b>	6	standard	hidden hinges of this series.

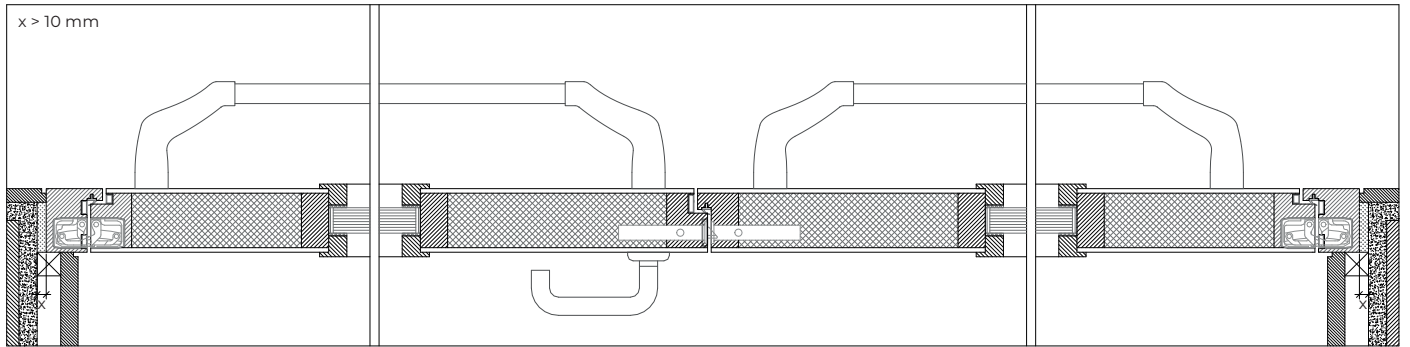
# details



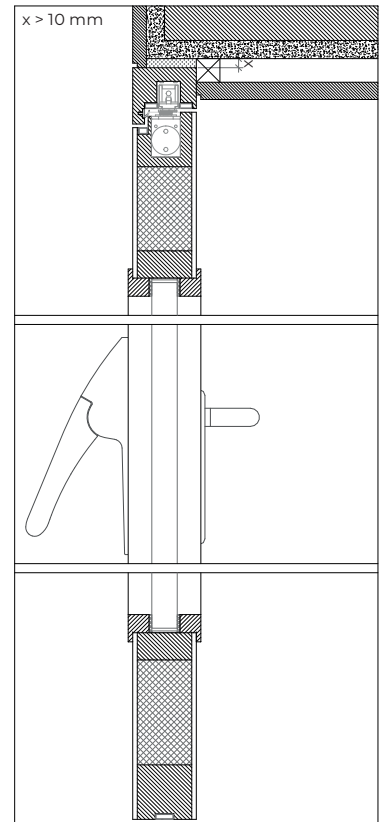
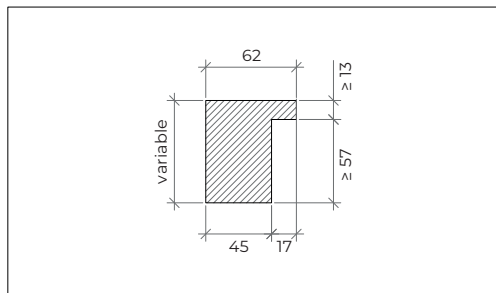
standard frame | visible hinges | masonry wall mounting | fixation with expandable foam



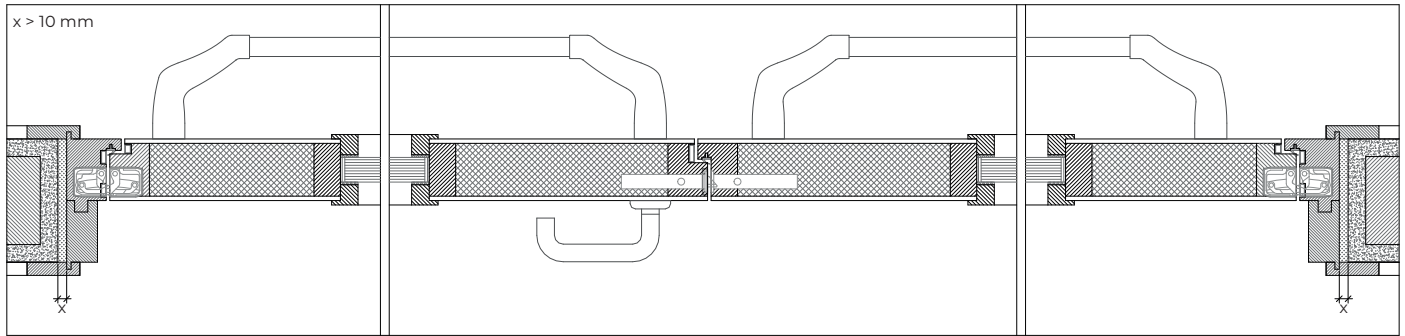
standard frame | door closer with sliding rail | masonry wall mounting | fixation with expandable foam



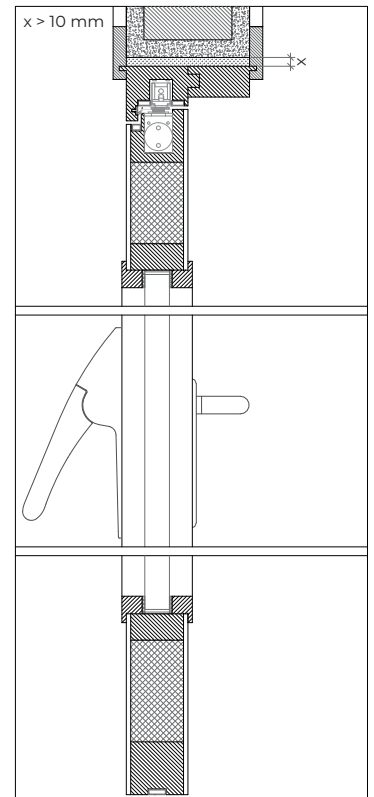
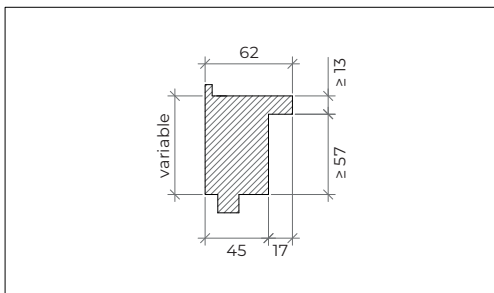
standard frame | hidden hinges | masonry wall mounting | fixation with expandable foam | plaster and wood finishes



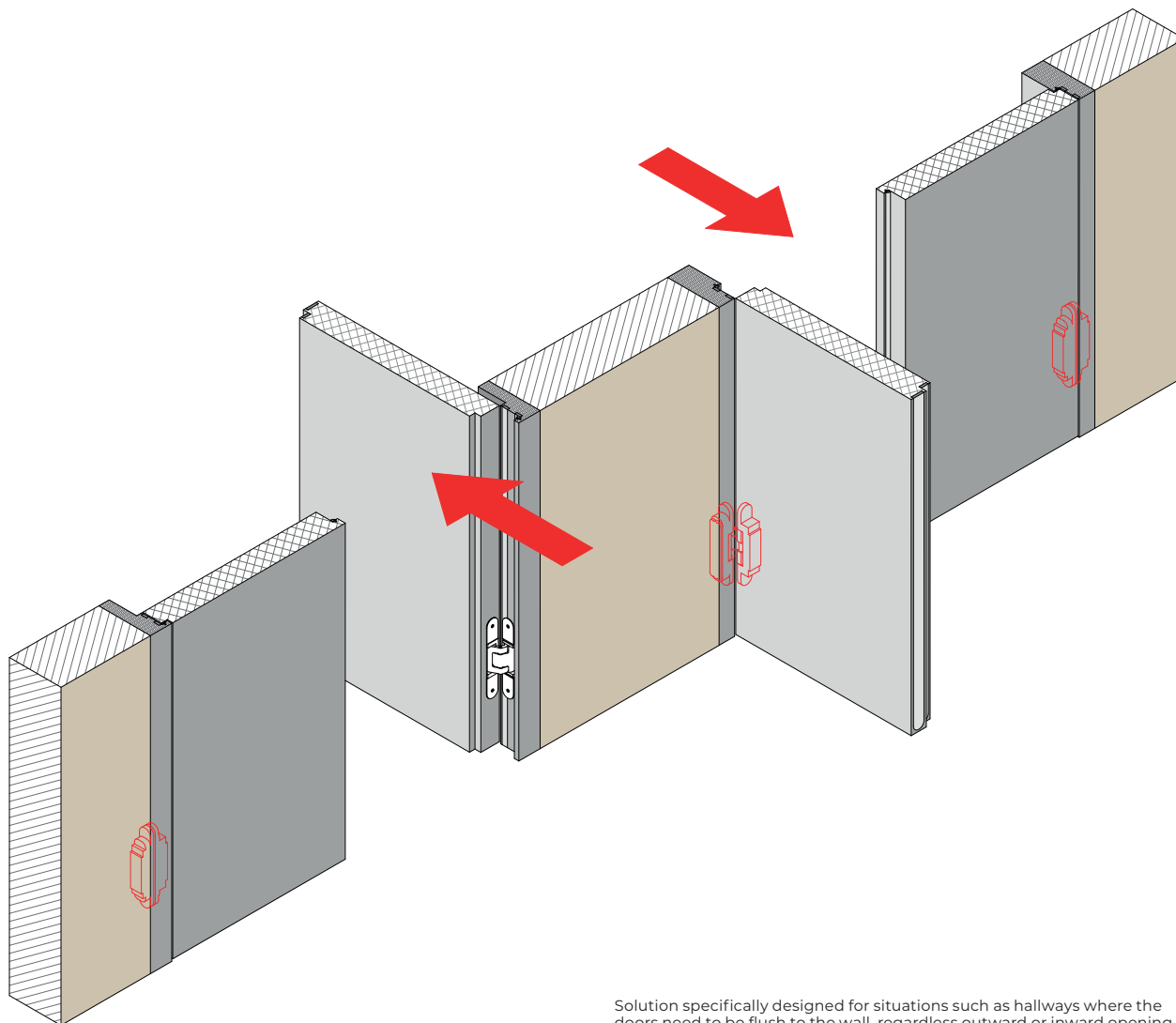
standard frame | hidden door closer | masonry wall mounting | fixation with expandable foam | plaster and wood finishes



modified frame | hidden hinges | masonry wall mounting | fixation with expandable foam | plaster and wood finishes



modified frame | hidden door closer | masonry wall mounting | fixation with expandable foam | plaster and wood finishes



Solution specifically designed for situations such as hallways where the doors need to be flush to the wall, regardless outward or inward opening.

GROUP COMPANY



---

**TRIA SA.**

Parque Ind. Manuel Lourenço Ferreira - Lt.43  
3450 - 232 Mortágua, Portugal  
//+351 231 927 480 //geral@tria.pt

**[www.tria.pt](http://www.tria.pt)**

VERS.10.22A