



S1A.30 & S2A.30

S SERIES







MODELS

S1A.30
single hinged leaf

S2A.30
double hinged leaf



MODELS

S1A.30

S2A.30

description

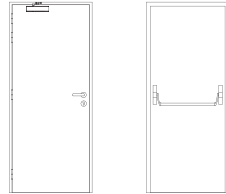
Hinged wooden door with frame made of solid wood pieces. It contains acoustic and intumescent seals that ensure the necessary tightness against flames and hot gases, as well as a high acoustic attenuation.

The leaf is made of a solid wood edge and contains thermal insulating and acoustic materials according to the TRIA constructive system.

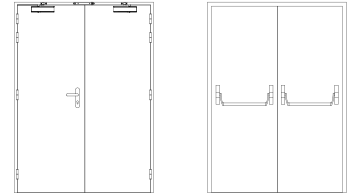
An automatic seal may be incorporated on leaf's bottom, if necessary.

The pivoting behavior of the door is ensured by four visible hinges of this series.

specification



S1A.30 | single hinged leaf



S2A.30 | double hinged leaf

model | typology

classification achieved when tested

FR integrity (EN 1634-1) ⁽¹⁾	E 15 / E 30	E 15 / E 30
FR integrity and insulation (EN 1634-1) ⁽¹⁾	EI ₁ 15 / EI ₁ 30 / EI ₂ 15 / EI ₂ 30	EI ₁ 15 / EI ₁ 30 / EI ₂ 15 / EI ₂ 30
acoustic (EN 20140-3)	34 dB / 35 ⁽²⁾ dB	34 dB

⁽¹⁾ classification according to standard 13501-2

⁽²⁾ including sill

dimensions (mm)

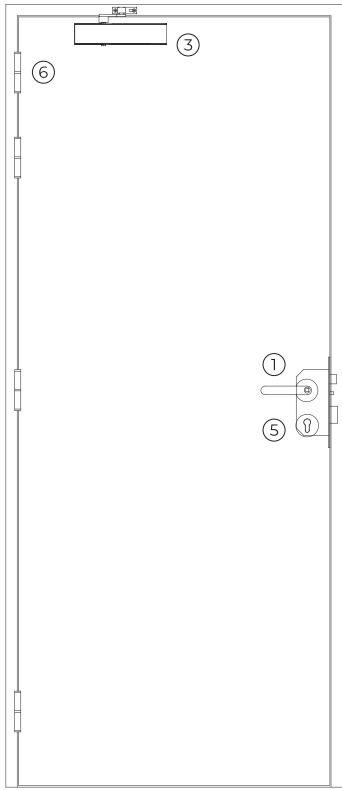
W x H (standard) ⁽³⁾	800 / 900 x 2000 / 2100	1400 / 1600 / 1800 x 2000 / 2100
W maximum	1188	1900 (EI 30) / 2280 (EI 15)
H maximum	3063	2450 (EI 30) / 2940 (EI 15)
external frame (standard)	W + 90 x H + 45	W + 90 x H + 45
other dimensions	upon request	upon request

⁽³⁾ W x H = width x height = free passage

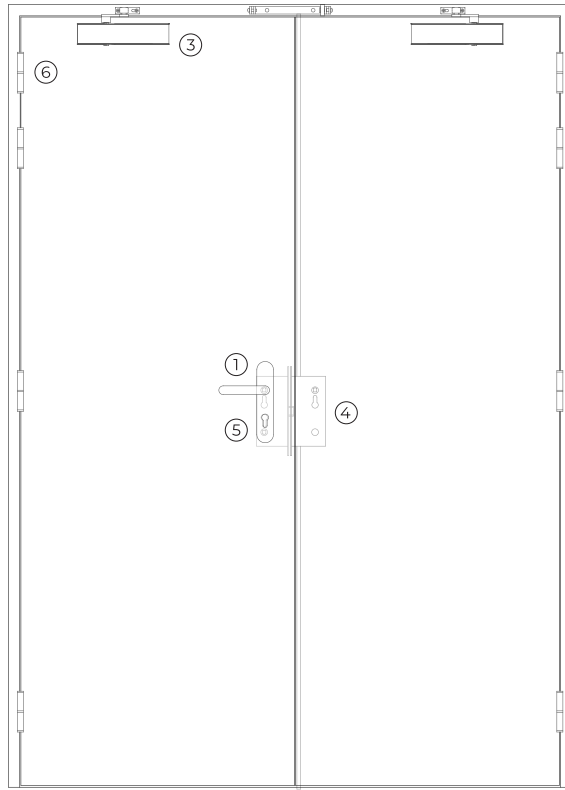
construction

leaf thickness (mm)	46	46
leaf Weight (kg/m ²)	30	30
hinges (per leaf)	4	4
standard vision panel (mm)	Ø 300 / 300 x 400	Ø 300 / 300 x 400 / W ⁽⁴⁾ 660 / H ⁽⁴⁾ 2150
finishing (standard)	mdf to paint	mdf to paint
finishing (optional)	veneering in various woods / materials	veneering in various woods / materials

⁽⁴⁾ minimum size of edge = 150 mm



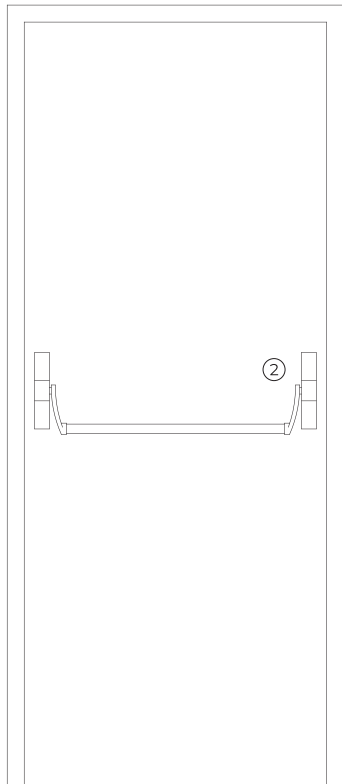
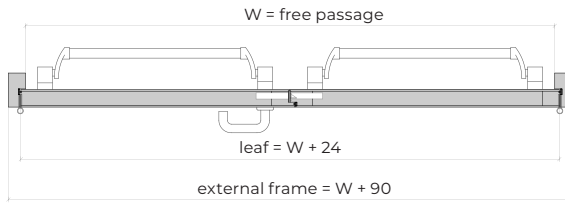
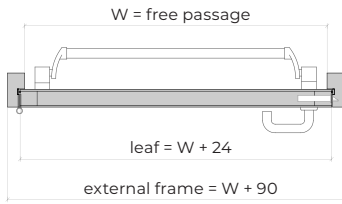
S1A.30



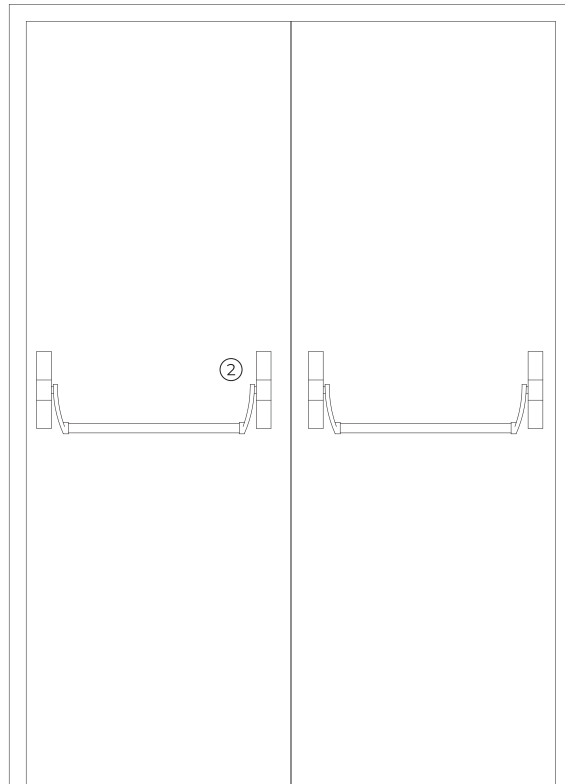
S2A.30

exterior view

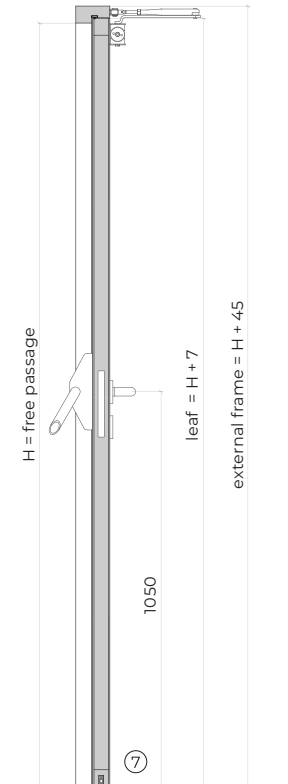
exterior view



interior view

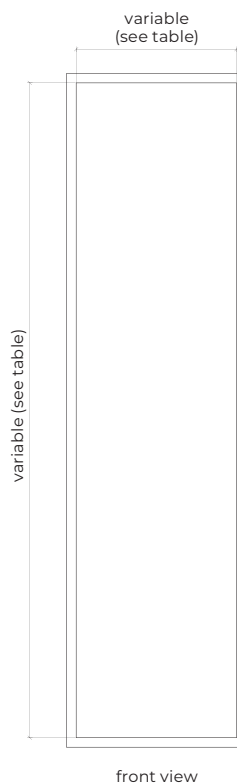
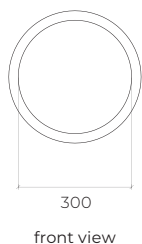
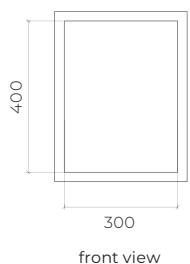


interior view



vertical section

optionals



accessories and hardware

S1A.30

S2A.30

handle / anti-panic bar ⁽⁵⁾

- | | | |
|---|----------|---|
| 1 | standard | anti-panic lever handle with drill finished in black (standard) or stainless steel. |
| 2 | standard | anti-panic bar with gear unit, tube, cover caps and arms finished in nylon black (standard) or stainless steel. |

⁽⁵⁾ alternatively, the door may be equipped with a pair of handles.

hidraulic door closer ⁽⁶⁾

- | | | | |
|---|----------|--------------------------------------|---|
| 3 | standard | door closer with an articulated arm. | door closers with articulated arms + closing sequence selector. |
| | opcional | door closer with sliding rail. | door closers with articulated arms + closing sequence selector. |

⁽⁶⁾ with electromagnetic hold-open (optional).

lock / counter lock

- | | | | |
|---|----------|---------------------------------------|--|
| 4 | standard | anti-panic lock with 1 locking point. | anti-panic lock with 1 locking point + counter lock. |
|---|----------|---------------------------------------|--|

cylinder

- | | | |
|---|----------|----------------------------------|
| 5 | standard | 1/2 cylinder (european profile). |
|---|----------|----------------------------------|

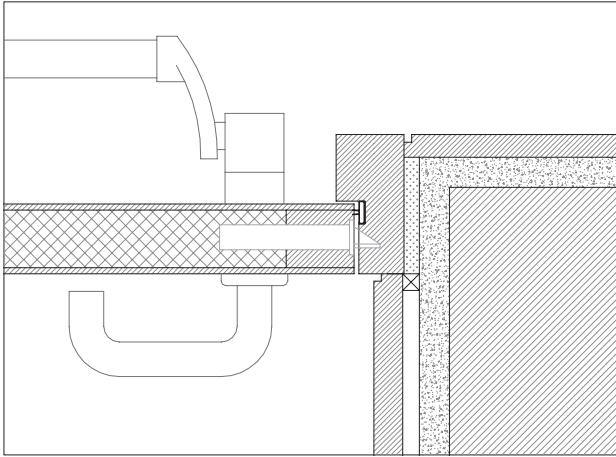
hinges

- | | | | |
|---|----------|----------------------------------|---|
| 6 | standard | 4 visible hinges of this series. | 4 visible hinges of this series (per leaf). |
|---|----------|----------------------------------|---|

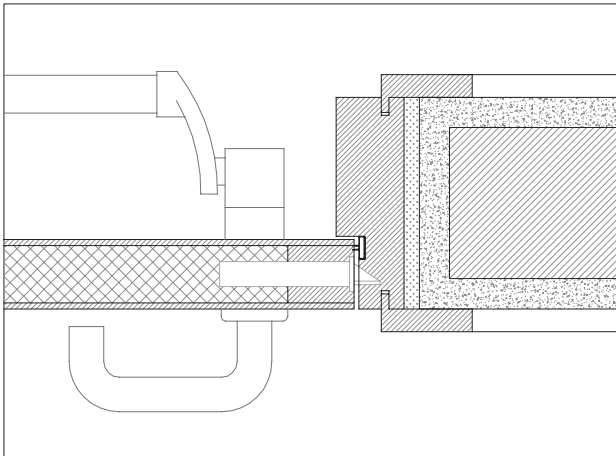
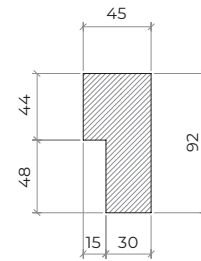
others

- | | | |
|---|-----------|---|
| 7 | optionals | automatic seal.
rectangular and round vision panels. |
|---|-----------|---|

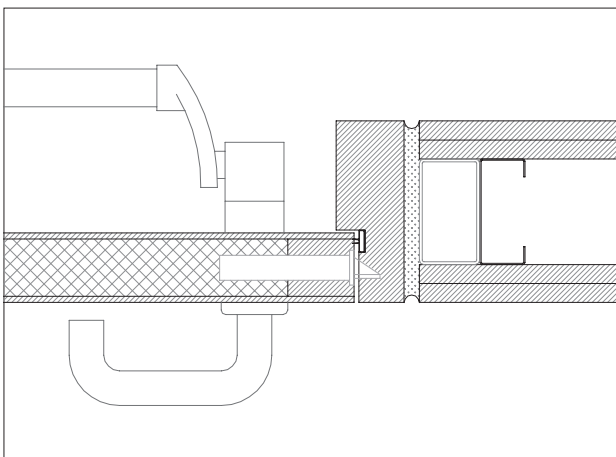
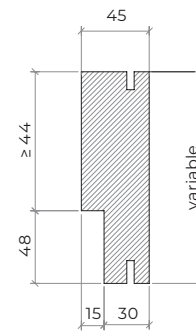
details



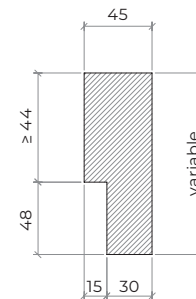
standard frame | masonry wall mounting | fixation with expandable foam | plaster and wood finishes

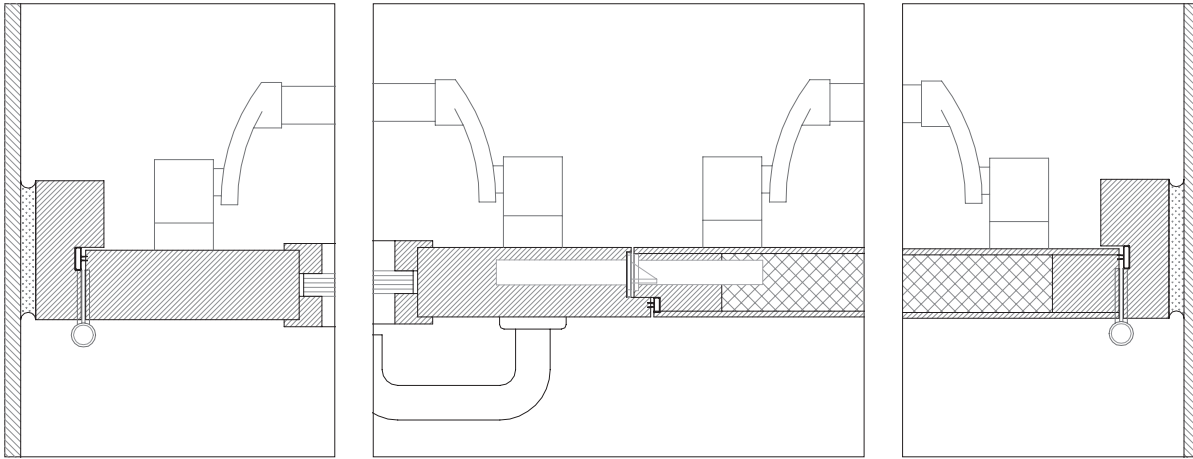


modified frame | concrete wall mounting | fixation with expandable foam | plaster and wood finishes

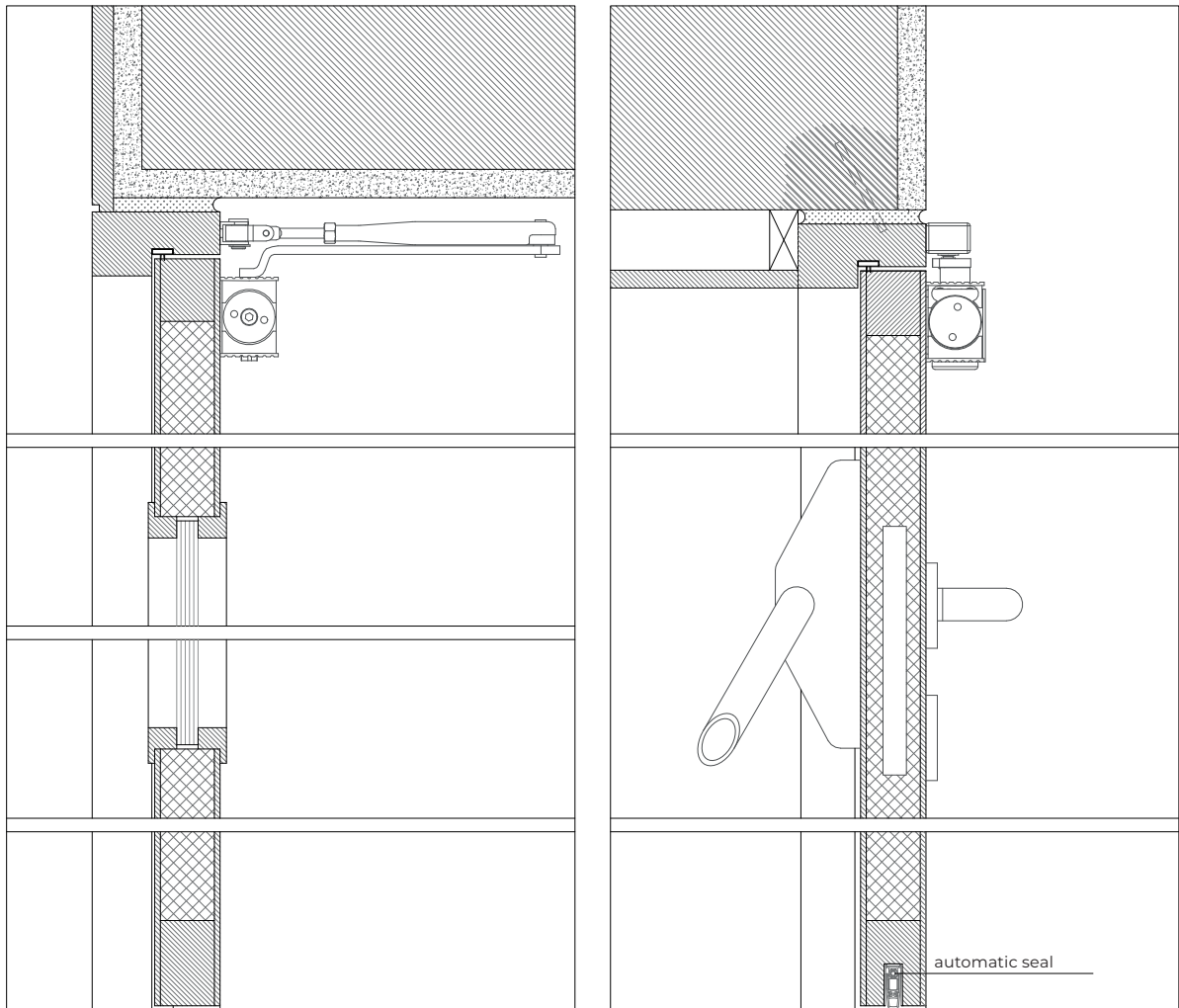


modified frame | gypsum wall mounting | metal portico fixation with expandable foam





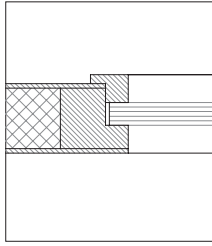
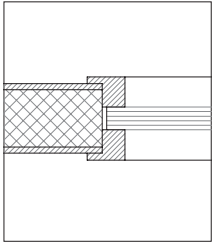
standard frame | concrete wall mounting | fixation with expandable foam



standard frame | masonry wall mounting | fixation with expandable foam | plaster and wood finishes | door closer with an articulated arm

standard metal frame | masonry wall mounting | steel rod fixation | plaster and wood finishes | door closer with sliding rail

types of vision panels



standard solution

GROUP COMPANY



TRIA SA.

Parque Ind. Manuel Lourenço Ferreira - Lt.43
3450 - 232 Mortágua, Portugal
//+351 231 927 480 //geral@tria.pt

www.tria.pt

VERS.11.22A