



H1C.45 SECURITY

H SERIES







MODEL

H1C.45 SECURITY
single hinged leaf



MODEL

H1C.45 SECURITY

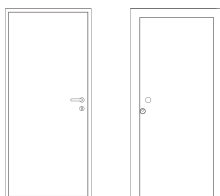
description

Hinged wooden door with coplanar leaf and frame on both sides. The frame is made of solid wood pieces and contains acoustic and intumescent seals that ensure the necessary tightness against flames and hot gases, as well as a high acoustic attenuation.

The leaf is made of a solid wood edge and contains thermal insulating and acoustic materials. An automatic seal may be incorporated on the leaf, if necessary.

The pivoting behavior of the door is ensured by three hidden hinges. The H1C.45 Security model includes an high security lock with three locking points, equipped with sturdy hooks as well as an European profile cylinder, protected by a security escutcheon that prevents access to the cylinder.

specification



model | typology

HIC.45 SECURITY | single hinged leaf

classification achieved when tested

FR integrity (EN 1634-1) ⁽¹⁾	E 45
FR integrity and insulation (EN 1634-1) ⁽¹⁾	EI ₁ 45 / EI ₂ 45
burglar resistance (EN 1628 EN 1629 EN 1630) ⁽²⁾	RC 2
acoustic (ISO 717-1)	44 dB ⁽³⁾

⁽¹⁾ classification according to standard 13501-2

⁽²⁾ classification according to standard 1627

⁽³⁾ check page 10

dimensions (mm)

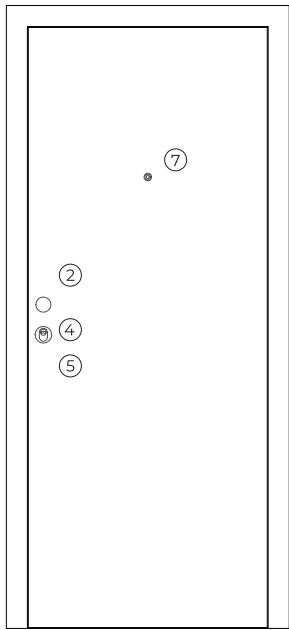
W x H (standard) ⁽⁴⁾	800 / 900 x 2000 / 2100
W maximum	900 (EI 45) / 1040 (EI 30) / 990 (RC 2)
H maximum	2400 (EI 45) / 2760 (EI 30) / 2640 (RC 2)
external frame (standard)	W + 140 x H + 70
other dimensions	upon request

⁽⁴⁾ W x H = width x height = free passage

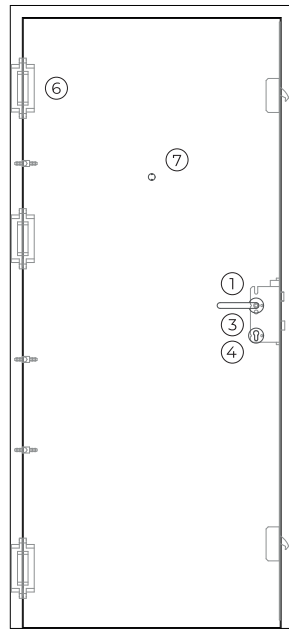
construction

leaf thickness (mm)	70
leaf weight (kg/m ²)	60
hinges (per leaf)	3 / 4 ⁽⁵⁾
finishing (standard)	mdf to paint
finishing (optional)	veneering in various woods / materials (maximum thickness 4 mm)

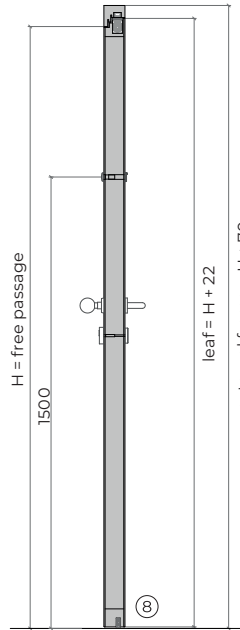
⁽⁵⁾ if leaf weight > 120 kg



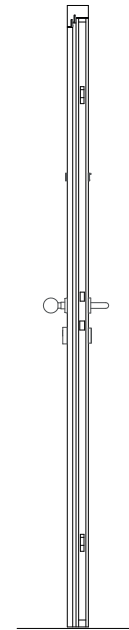
exterior view



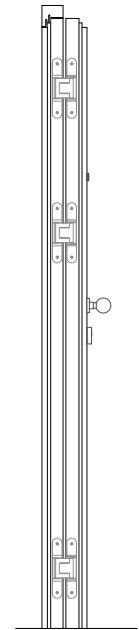
interior view



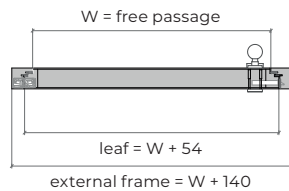
vertical section



lock top view



hinges top view



accessories and hardware

handle / anti-panic bar

- 1 standard lever handle (interior).
- 2 standard fixed ball handle (exterior).

lock

- 3 standard high security lock from WINKHAUS with 3 locking points equipped with hook latches and automatic closing system.

cylinder

- 4 standard high security cylinder (european profile).
- optional cylinder with automatic open button (inside).

shield

- 5 standard security shield.

hinges

- 6 standard 3 hidden hinges.
- optional 3 visible hinges.

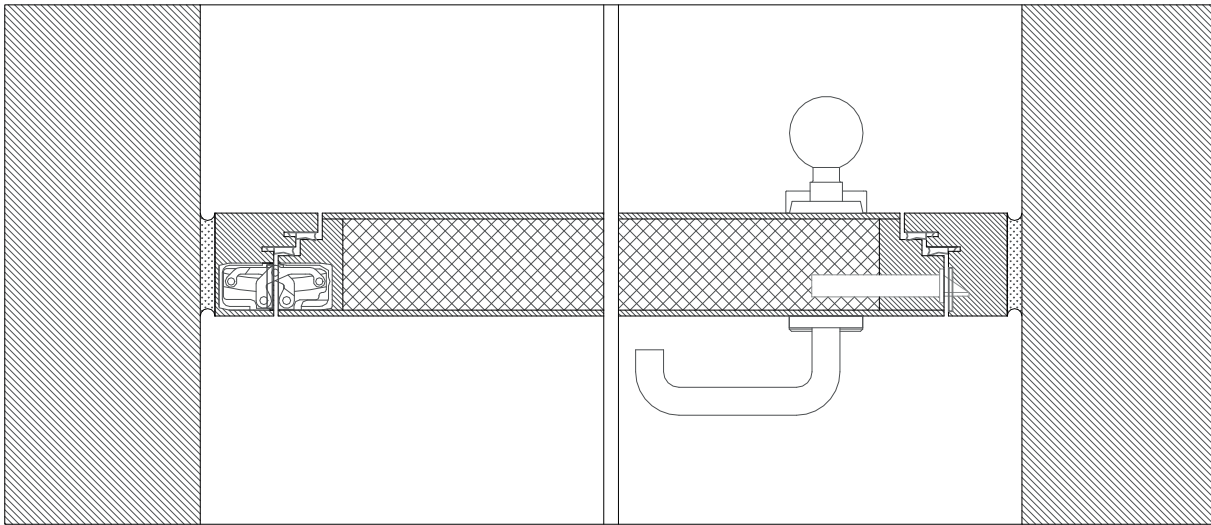
others

- 7 standard optical door viewer (180°).
- 8 optional automatic seal. ⁽⁶⁾

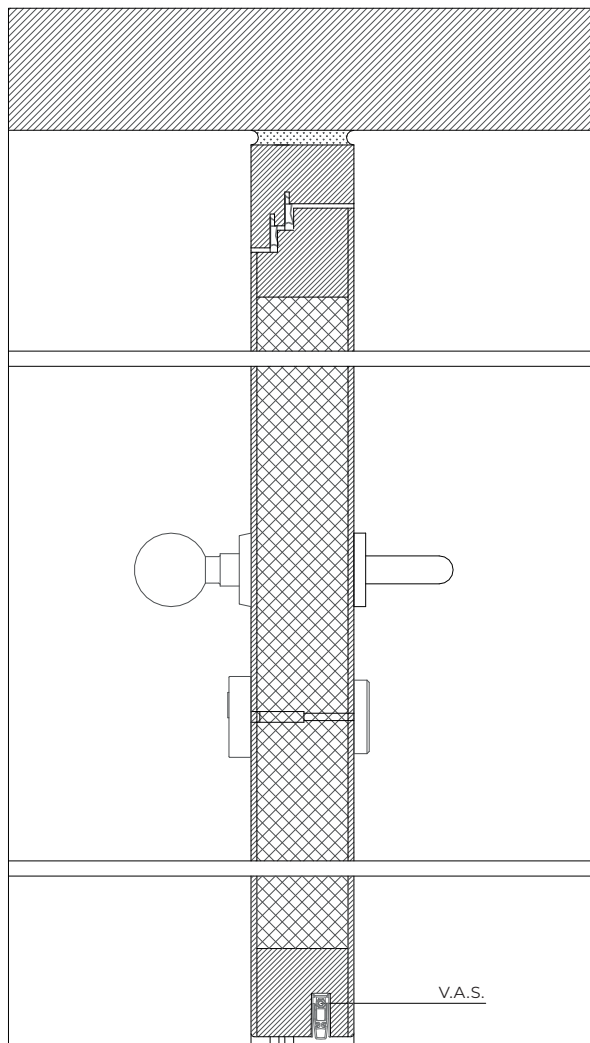
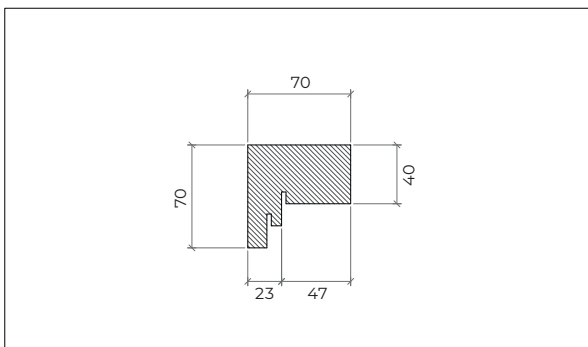
⁽⁶⁾ acoustic version.

All drawings are in millimeters.

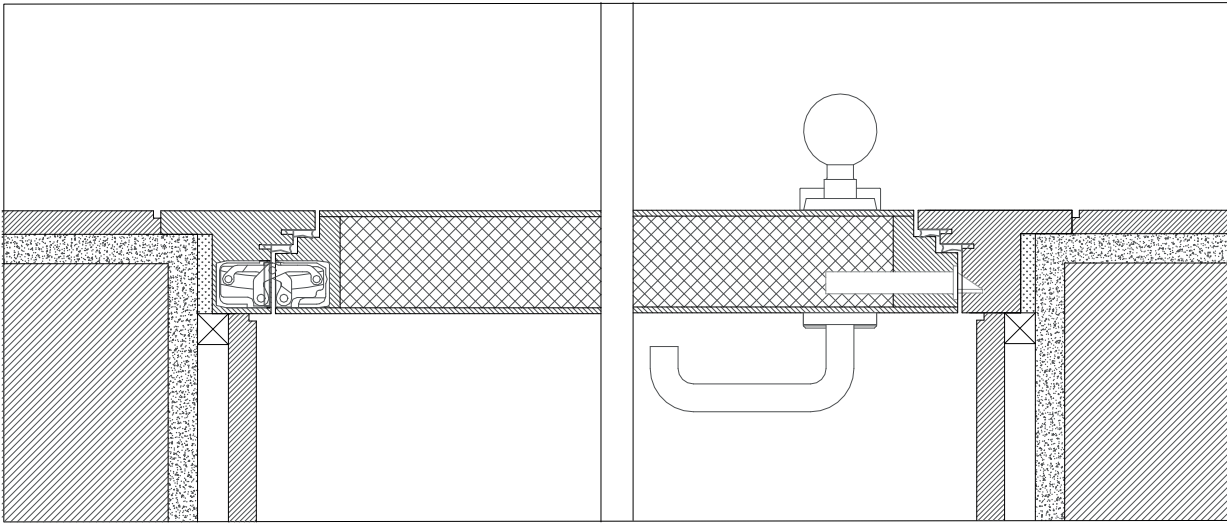
details



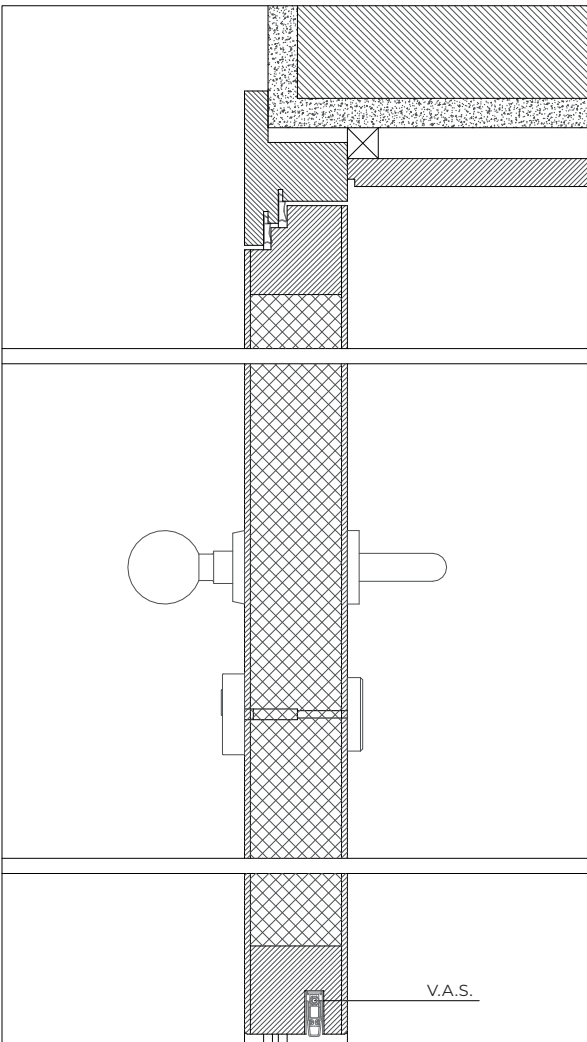
standard frame | concrete wall mounting | fixation with expandable foam



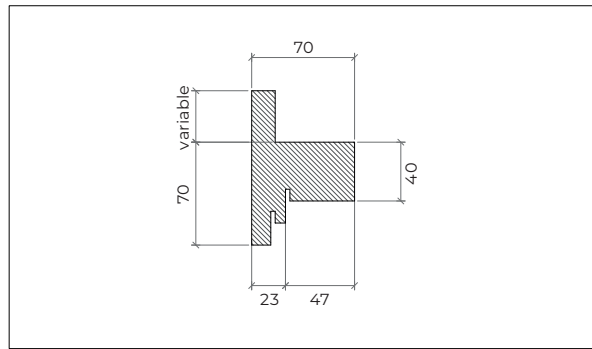
standard frame | concrete wall mounting | fixation with expandable foam



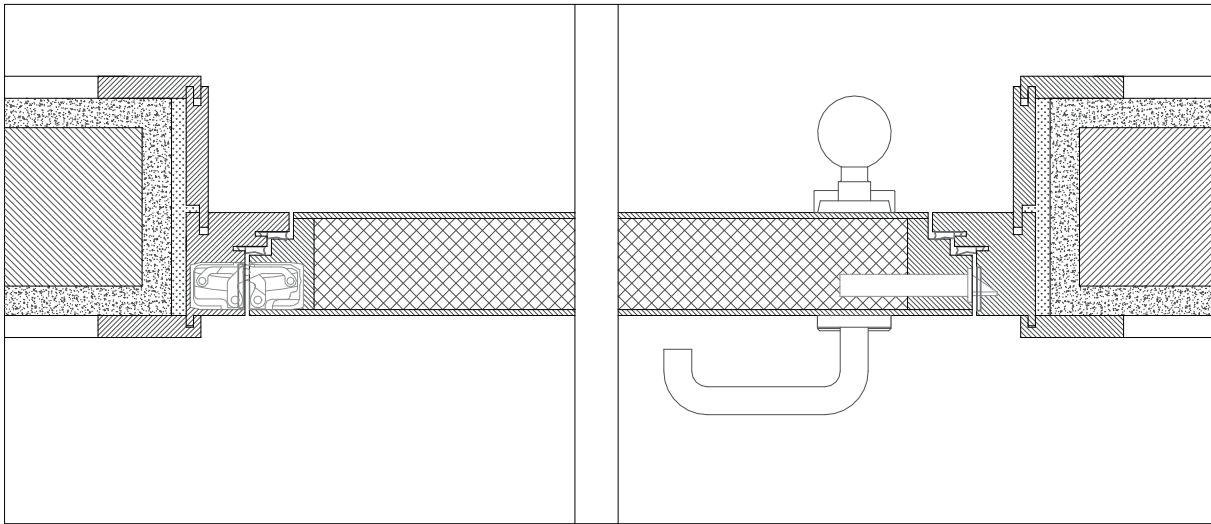
modified frame | masonry wall mounting | fixation with expandable foam | wood finishes



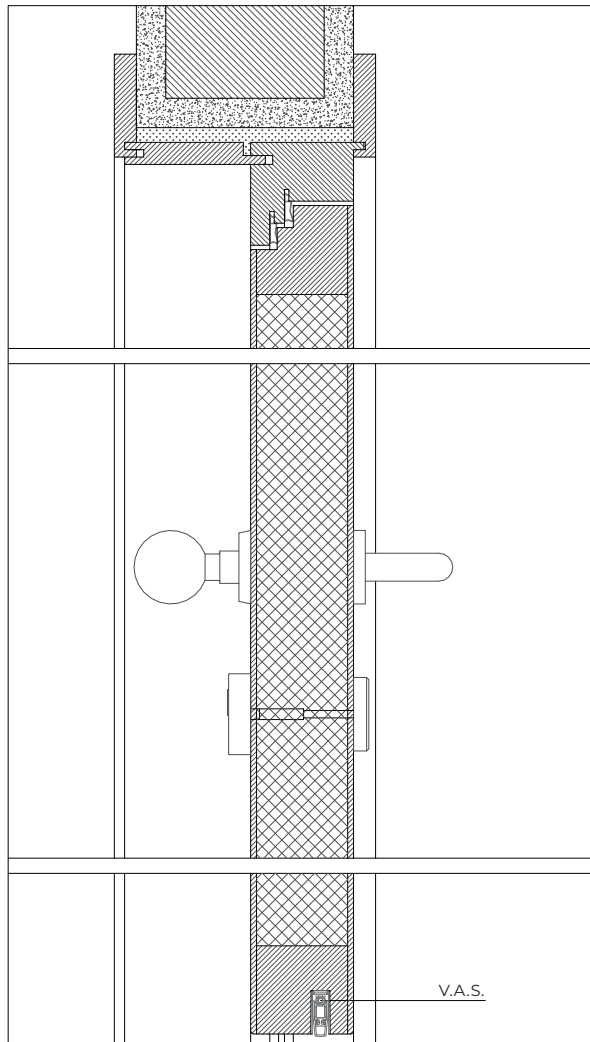
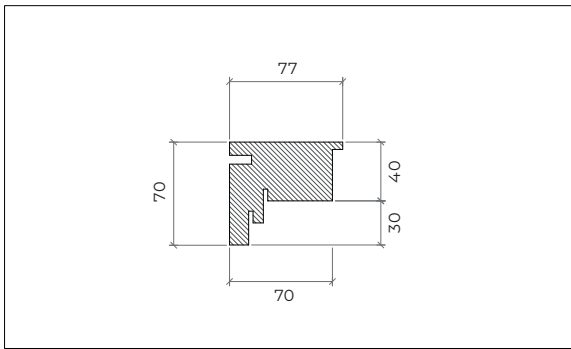
modified frame | masonry wall mounting | fixation with expandable foam | plaster and wood finishes



All drawings are in millimeters.

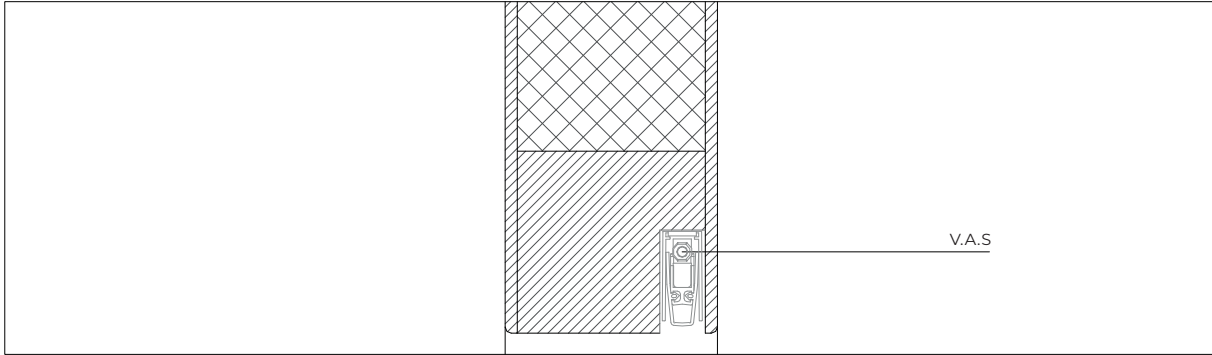


modified frame | masonry wall mounting | fixation with expandable foam | plaster and wood finishes.

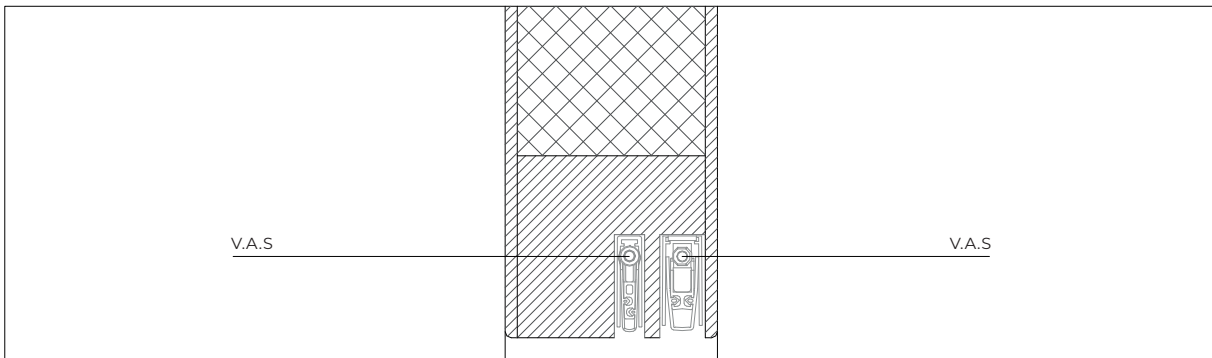


modified frame | masonry wall mounting | fixation with expandable foam | plaster and wood finishes

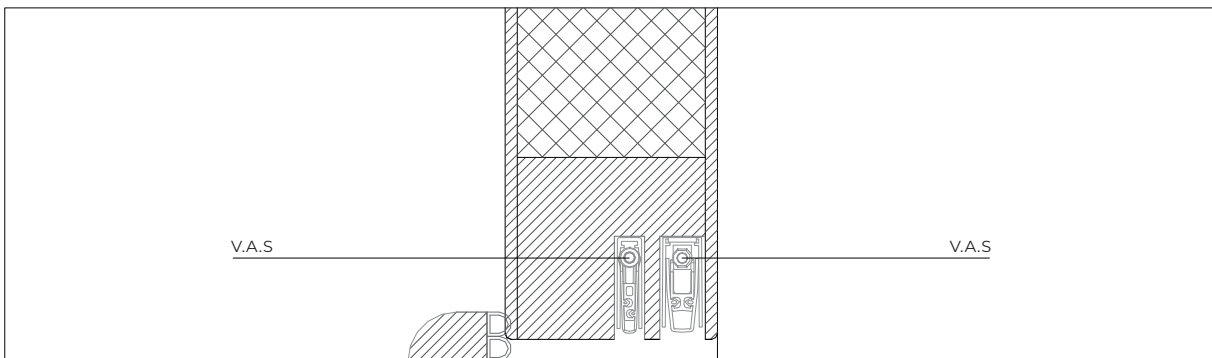
acoustics



41 dB | drop seal



42 dB | double drop seal



44 dB | threshold and double drop seal

GROUP COMPANY



TRIA SA.

Parque Ind. Manuel Lourenço Ferreira - Lt.43
3450 - 232 Mortágua, Portugal
//+351 231 927 480 //geral@tria.pt

www.tria.pt

VERS.10.22A