

PRODUCT FEATURES

COVIA is a single flap smoke vent suitable for the removal of large quantities of warm air and / or smoke from a building within a short period of time, daily ventilation and natural lighting. Suitable for utilization on various kerbs and domes.

The vents are manufactured according to EN-ISO 9001 quality control standards and comply with the European requirements for NSHE according to EN 12101-2. The vents are formed from high quality corrosion resistant aluminium to ensure low maintenance requirements and watertightness. Various methods of operation using pneumatic or electric actuators are available.

COVIA is a perfect solution for preventive fire protection in staircase rooms and can also work as a roof access system. Within the range on the minimum and maximum possible construction sizes, the devices can be supplied in variable dimensions.





COVIA

TYPICAL APPLICATIONS

Suitable for horizontal and inclined roofs up to 15°. May be installed either onto roofs or into barrel vault daylighting systems. Particularly suitable for warehouses, logistics centres, staircase rooms, production environments and industries.

MATERIALS

Tempered aluminium, sea water and corrosion resistant (EN AW 5754). Corrosion resistant bearings. Sealant applied so that there is no freezing, enabling the equipment to have low air permeability at the same time.

Note: aluminum is supplied untreated as standard. Possibility of being supplied with electrostatic painting (in any RAL color).

DIMENSIONS

Roof opening width: 800, 1000, 1200, 1400, 1500 and 1800 mm

Roof opening length: from 1000 up to 3000 mm.

Alternative dimensions on demand.

OPENING ANGLE

140°, 150° and 160°.

CONTROLS FIRE VENTILATION

P2F: opening and closing by double-acting pneumatic cylinder with thermofuse.

M24V: traverse with electric motor 24 V.

ACOUSTIC PERFORMANCE

36db.

FLAPS

AL	Single Aluminium. ⁽¹⁾
AL ISO	Double insulated aluminium (20 and 50 mm). ⁽¹⁾
PC16	Polycarbonate 16mm, clear or opal.
PC25	Polycarbonate 25mm, clear or opal.
PC32	Polycarbonate 32mm, clear or opal.
TB	Thermal break in the aluminium profiles. ⁽²⁾
GLASS	Insulated double glass 30mm. ⁽³⁾

⁽¹⁾ Aluminium sheet limited to one dimension at 1400mm (width or length).

⁽²⁾ Available for flaps of AL ISO *, PC25 mm, PC32 mm.

⁽³⁾ Available dimensions vary depending on the total flap weight.

BASES

Single aluminium.

Double wall aluminium with insulation.

Double wall aluminium with insulation and TB, thermal break in the aluminium base.

Note: other non-standard bases available upon request.

FLANGES

S1	Flange for single glass.
S2	Flange for double glass.
S3	Flange for roofs, 45° bended.
S4	Flange for roofs and facades.
S5	Flange for upstand, 90° bended downwards.
S6	Flange 90° bended upwards.
SLS	Flange for skylight connection (different polycarbonate thicknesses).
SC	Flange for connection with other flange (vents connection, SCM Flange for male connection and SCF flange for female connection).



S1



S2



S3



S4



S5



S6



SLS



SC



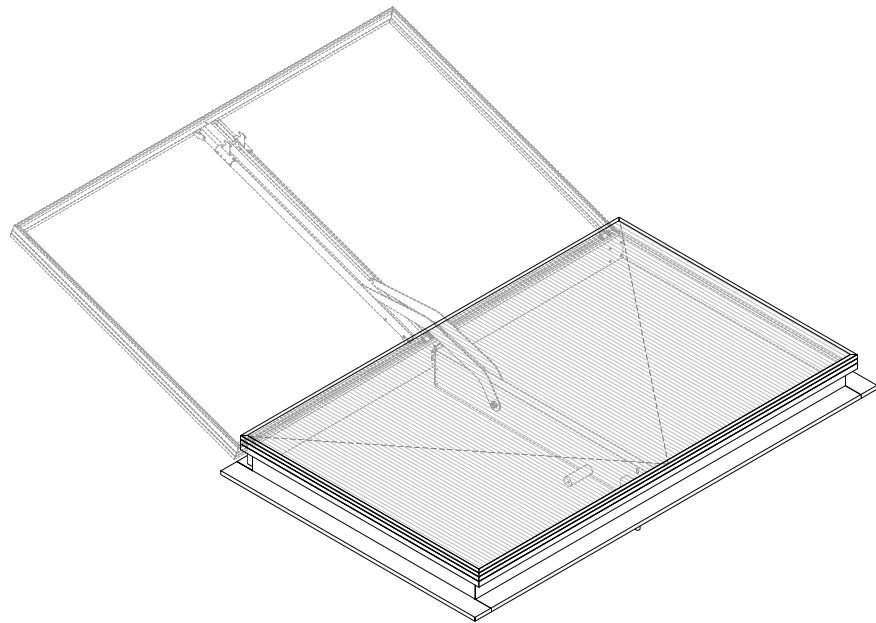
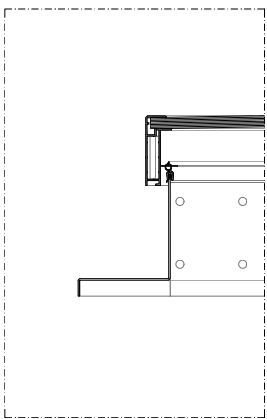
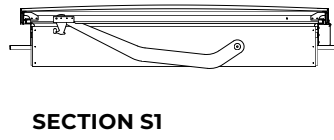
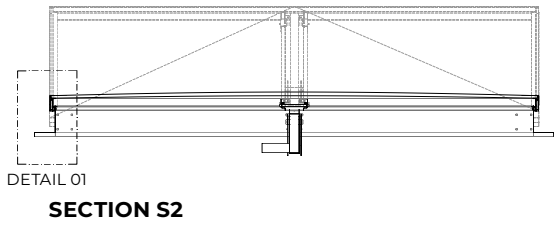
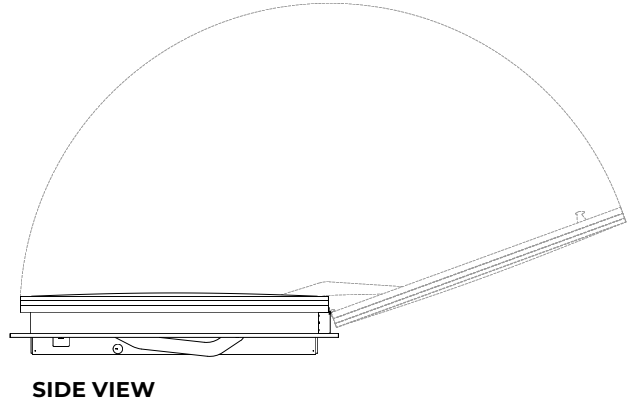
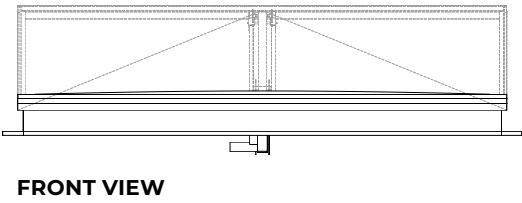
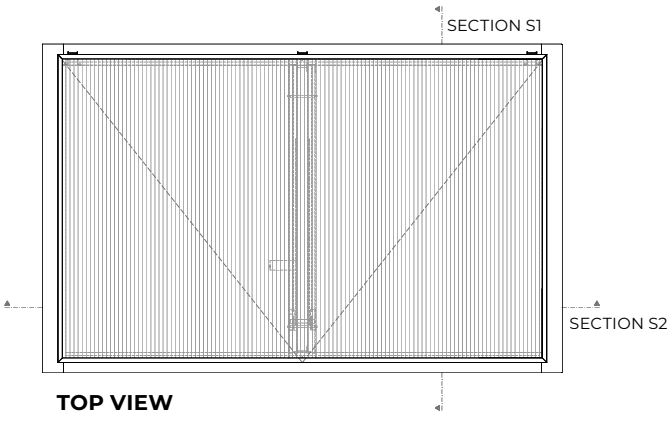
SCM

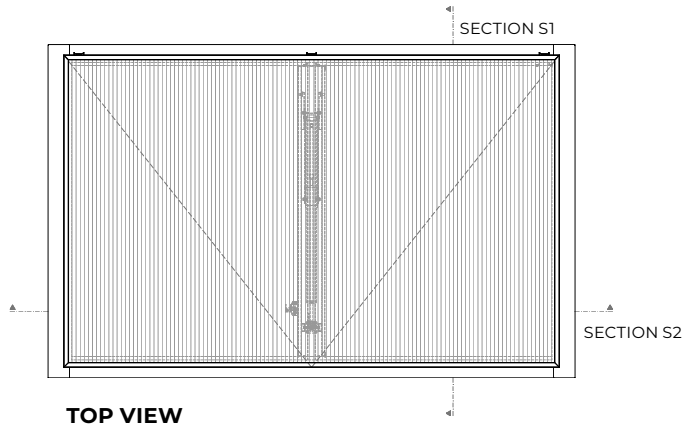


SCF

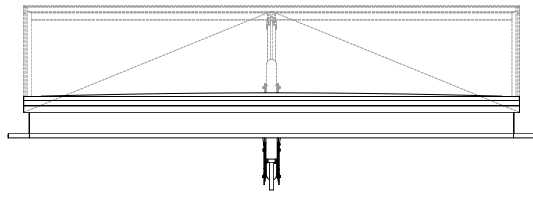
WEIGHT

Depends on dimensions and type of infill.

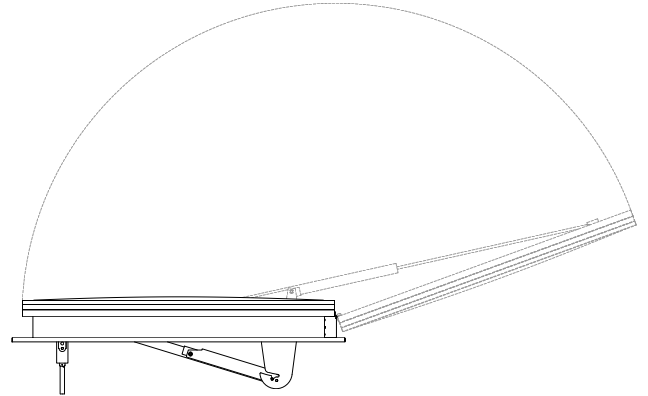




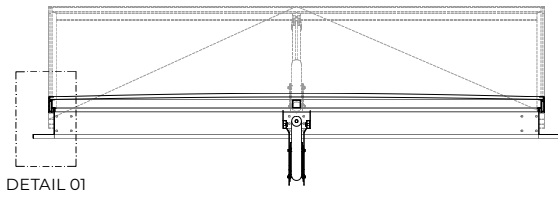
TOP VIEW



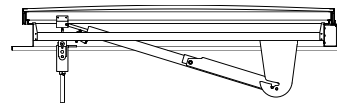
FRONT VIEW



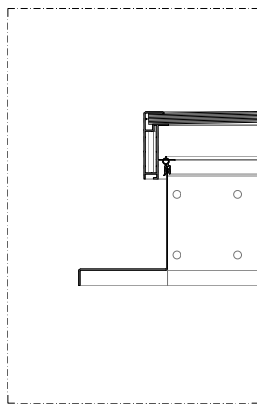
SIDE VIEW



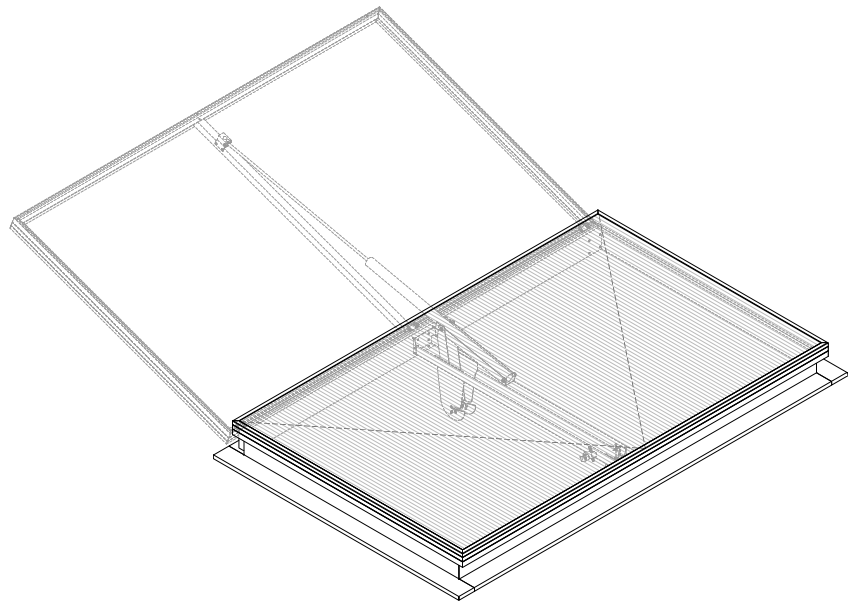
SECTION S2



SECTION S1



DETAIL 01



**PERSPECTIVE VIEW
OPENING SYSTEM**