



ASN 1 & ASN 2

ASN SERIES | schröders system







MODELS

ASN 1
single hinged leaf

ASN 2
double hinged leaf



MODELS

ASN 1

ASN 2

description

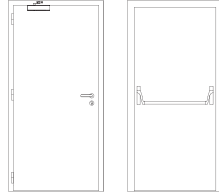
Hinged metal door with electro-zinc coated steel frame (1,5 mm thickness), cold-formed and construction by welding. A rubber peripheral sealing gasket is embedded in the frame.

The leaf, with a door stop edge in all three sides of the frame, is made of two electro-zinc coated steel panels, ranging from 1 to 1,5 mm thick, and contains thermal insulating and acoustic materials according to Schröders constructive system.

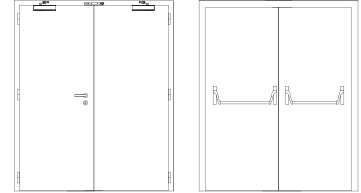
The pivoting behavior of the door is ensured by two welded hinges of the system (per leaf), with a 16 mm diameter solid steel pin and movement on thrust ball bearings, allowing an opening up to 180°.

Door models with CE marking according to EN 14351-1.

specification



ASN 1 | single hinged leaf



ASN 2 | double hinged leaf

model | typology

classification achieved when tested

thermal coef. (EN ISO 10077-1)	1.7 W/(m ² .°C)	1.9 W/(m ² .°C)
air permeability (EN 1026)	up to class 4 (optional)	up to class 3 (optional)
watertightness (EN 1027)	up to class 8A (optional)	up to class 3A (optional)
wind resistance (EN 12211)	up to class C5 (optional)	up to class C4 (optional)
negative and positive pressure resistance (EN 12211)	up to 5000 Pa (optional)	up to 3800 Pa (optional)
burglar resistance (EN 1628-30) ⁽¹⁾	up to RC 4 (mod. ESN1)	up to RC 4 (mod. ESN2)
acoustic (EN 20140-3)	up to Rw (C;Ctr)= 45 dB ⁽²⁾ (mod. SN1)	up to Rw (C;Ctr)= 42 dB ⁽²⁾ (mod. SN2)

⁽¹⁾ classification according to standard EN 1627

⁽²⁾ depending on the door dimensions upon request

door dimensions (mm)

W x H (standard) ⁽³⁾	800 / 900 x 2000 / 2100	1400 / 1600 / 1800 x 2000 / 2100
W maximum	1350	2500
H maximum	2500 / 3000 ⁽⁴⁾	2500 / 3500 ⁽⁴⁾
external frame (standard)	L + 148 x H + 74	L + 148 x H + 74
other dimensions	upon request	upon request

⁽³⁾ W x H = width x height = free passage

⁽⁴⁾ if include top rail

trapdoor dimensions (mm)

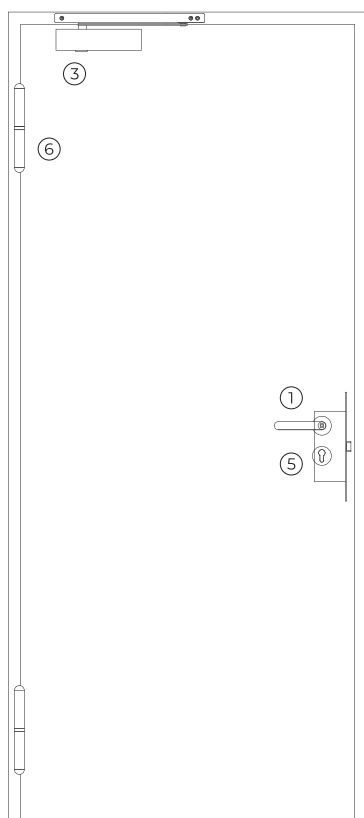
W x H (minimum)	500 x 500	N/A
W x H (maximum)	1350 x 1880	N/A
external frame	L + 148 x H + 148	N/A

ASN 1 | single hinged leaf**ASN 2** | double hinged leaf**construction**

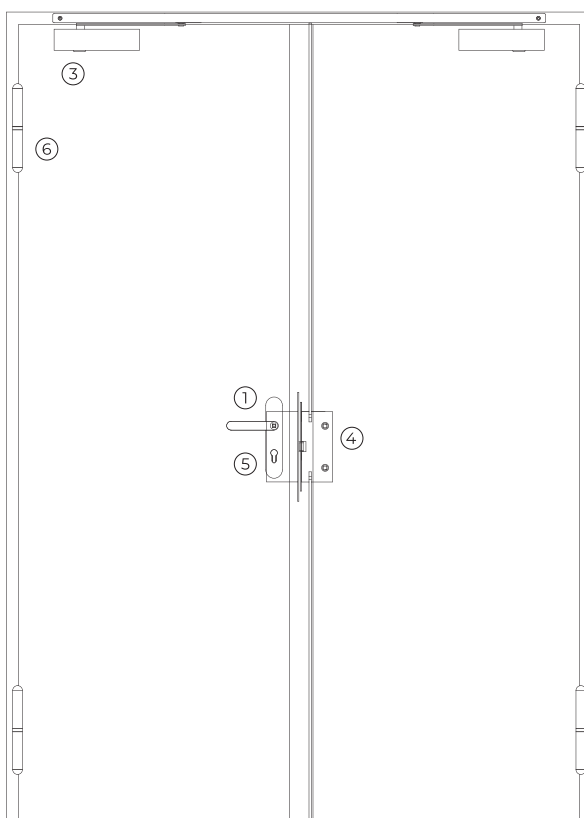
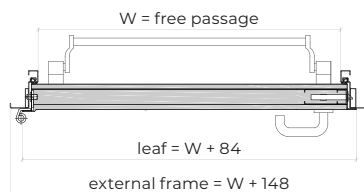
leaf thickness (mm)	68	68
leaf weight (kg/m ²)	25	25
hinges (per leaf)	2	2
vision panel (mm)	Ø 350 / L ≤ 1205 x H ≤ 2327 ⁽⁴⁾	Ø 350 / L ≤ 1084 / H ≤ 2327 ⁽⁴⁾
top rail (W x H)	≤1350 x ≤1000	≤2510 x ≤1000
finishing (standard)	electro-zinc coated steel for painting / lacquering in standard RAL color ⁽⁵⁾	electro-zinc coated steel for painting / lacquering in standard RAL color ⁽⁵⁾
finishing (optional)	stainless / wood veneer	stainless / wood veneer

⁽⁴⁾ minimum border dimension = 90 mm / Central glazing bar (optional)

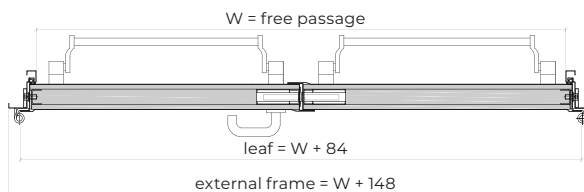
⁽⁵⁾ standard RAL colors = 7035, 7038, 9005 e 9010

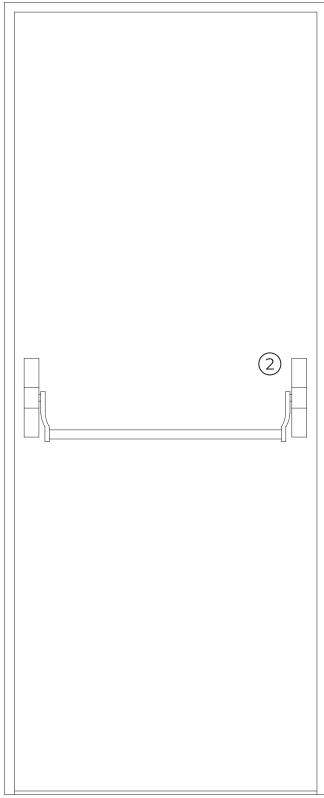


exterior view



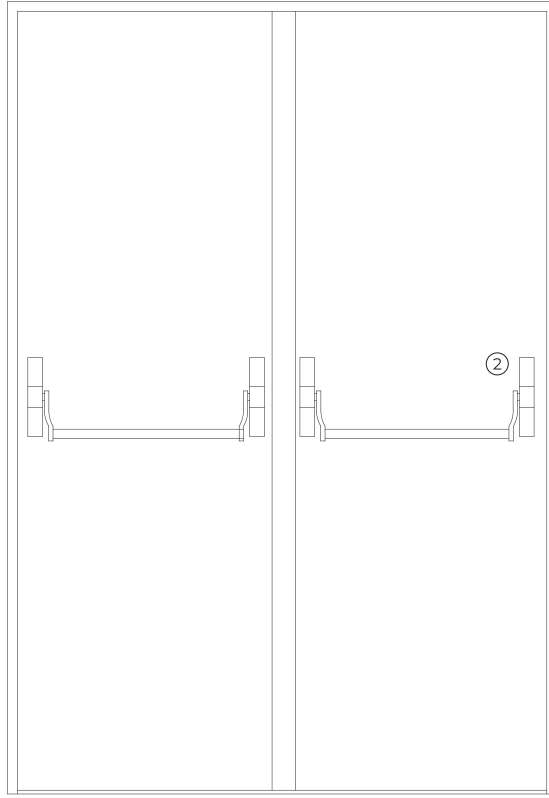
exterior view





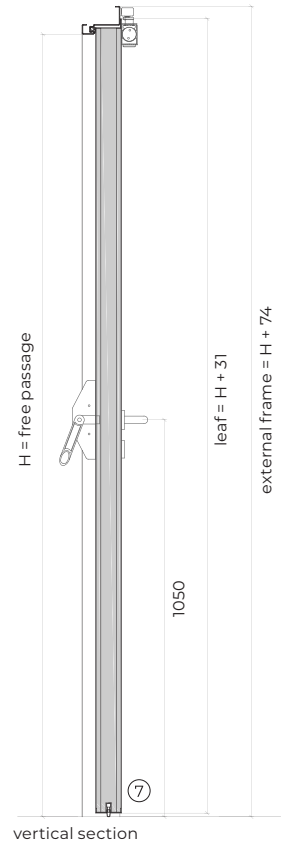
interior view

ASN 1



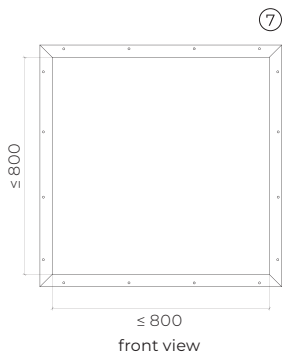
interior view

ASN 2

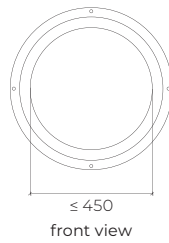


vertical section

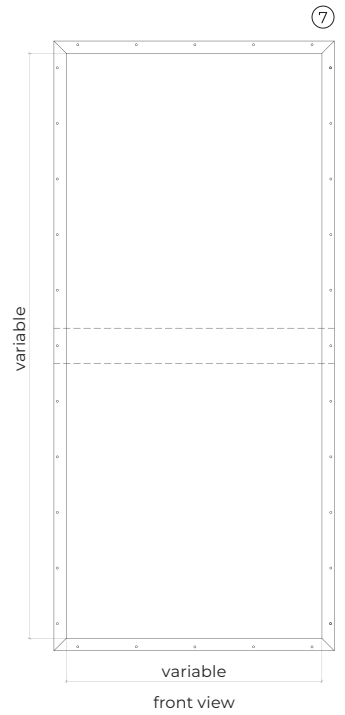
optionals



front view



front view



front view

accessories and hardware

ASN 1

ASN 2

handle / anti-panic bar ⁽⁶⁾

- | | | | |
|---|----------|--|--|
| 1 | standard | anti-panic lever handle with drill finished in black (standard) or stainless steel | |
| 2 | standard | anti-panic bar with gear unit, tube, cover caps and arms finished in nylon black (standard) or stainless steel alternatively, the door may be equipped with a pair of handles. | |

⁽⁶⁾ alternatively, the door may be equipped with a pair of handles.

hidraulic door closer ⁽⁷⁾

- | | | | |
|---|----------|--------------------------------------|-------------------------------------|
| 3 | standard | door closer with an articulated arm. | door closers with articulated arms. |
| | optional | door closer with sliding rail. | door closer with sliding rail. |

⁽⁷⁾ with electromagnetic hold-open (optional).

lock / counter lock

- | | | | |
|---|----------|---------------------------------------|--|
| 4 | standard | anti-panic lock with 1 locking point. | anti-panic lock with 1 locking point + counter lock. |
|---|----------|---------------------------------------|--|

cylinder

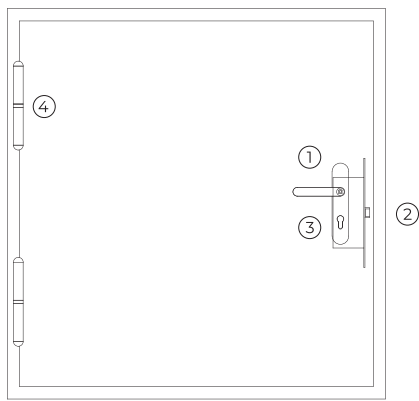
- | | | | |
|---|----------|----------------------------------|--|
| 5 | standard | 1/2 cylinder (european profile). | |
|---|----------|----------------------------------|--|

hinges

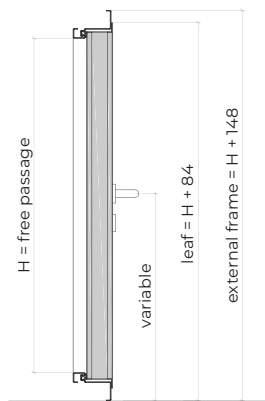
- | | | | |
|---|----------|------------------------------------|------------------------------------|
| 6 | standard | 2 exclusive hinges of this series. | 2 exclusive hinges of this series. |
|---|----------|------------------------------------|------------------------------------|

others

- | | | | |
|---|----------|-----------------------------|-----------------------------|
| 7 | optional | automatic seal. (VAS). | automatic seal.(VAS). |
| | optional | optical door viewer (180°). | optical door viewer (180°). |
| | optional | acoustic kit. | acoustic kit. |

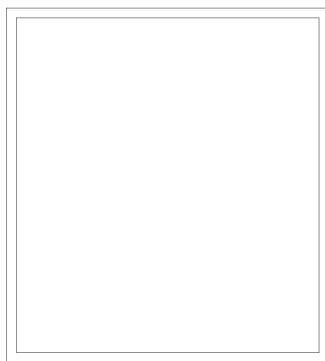
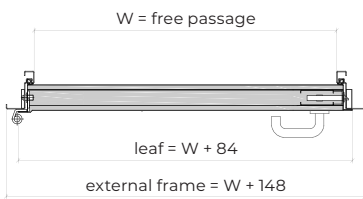


exterior view



vertical section

TRAPDOOR MODULE



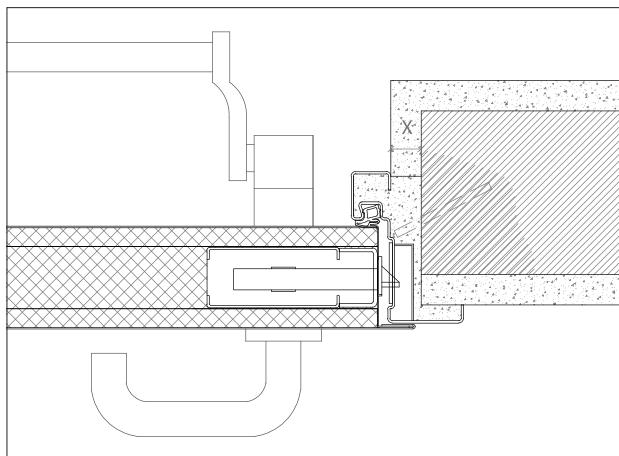
interior view

accessories and hardware

handle / anti-panic bar ⁽⁸⁾	1 standard	anti-panic lever handle with drill finished in black (standard) or stainless steel.
lock / counter lock	2 standard	anti-panic lock with 1 locking point.
cylinder	3 standard	1/2 cylinder (european profile).
hinges	4 standard	2 exclusive hinges of this series.

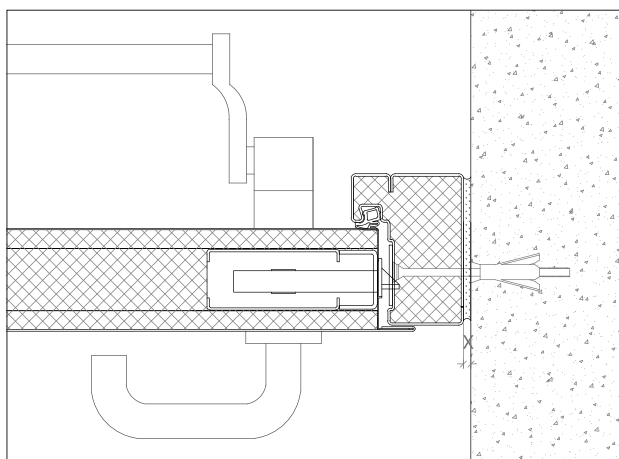
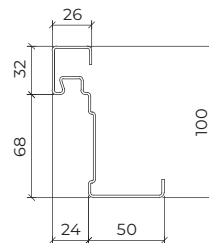
⁽⁸⁾ alternatively, the door may be equipped with a pair of handles.

details



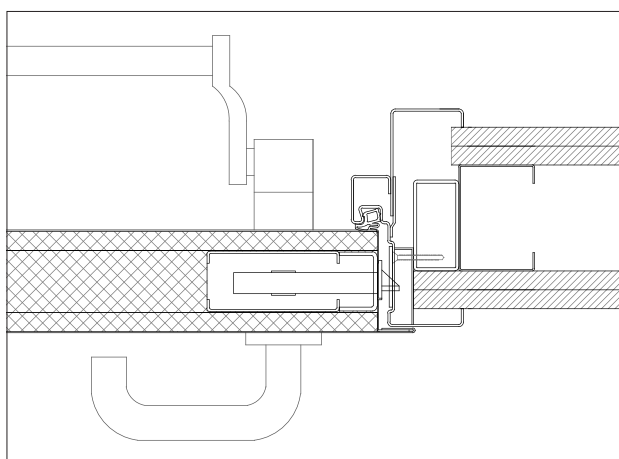
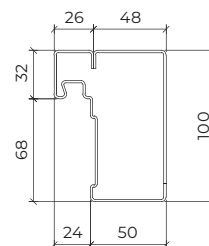
X > 20 mm (steel rod fixation)

F1 frame – standard frame | masonry wall mounting | steel rod fixation | plaster finish.



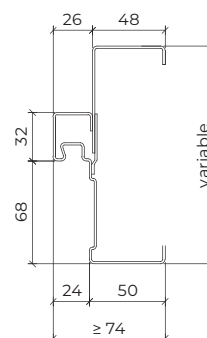
X ≥ 5 - 10mm (for fixing with metal wall plugs according to wall type)

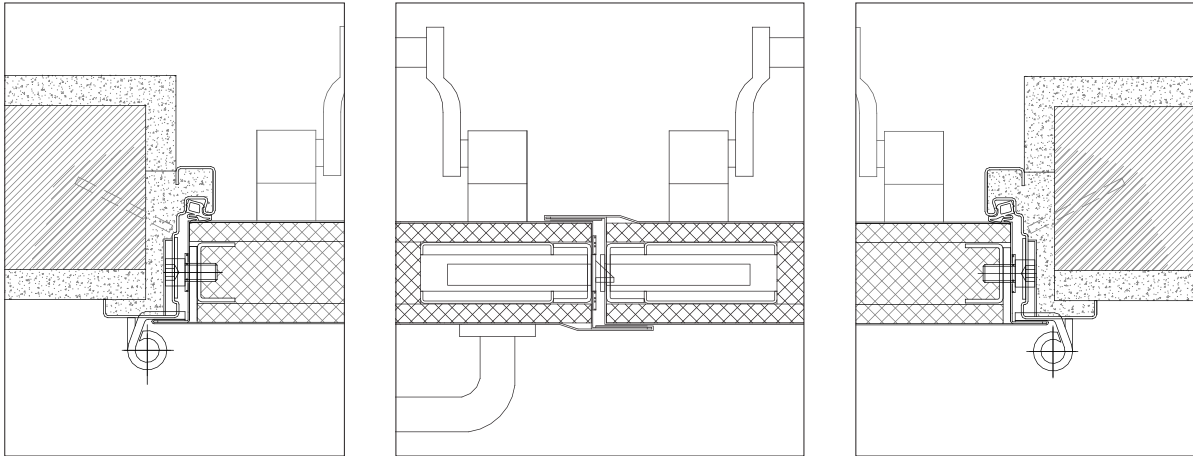
F2 frame – closed frame | concrete wall mounting | metal wall plugs fixation.



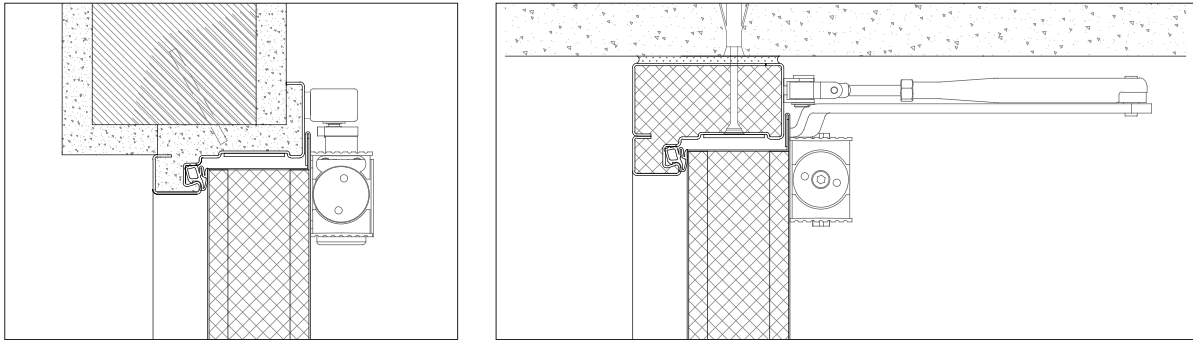
note: there are certain elements – namely intumescent and acoustic seals and / or leaf and frame fillings – shown in details, that can be suppressed depending on the technical requirements of the door.

F3 frame – frame + counter-frame | gypsum wall mounting | metal portico fixation.





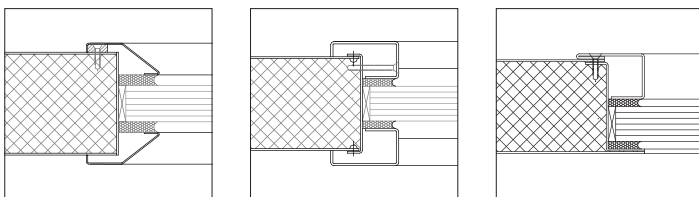
F1 frame – standard frame | masonry wall mounting | steel rod fixation | plaster finish



F1 frame – standard frame | masonry wall mounting | steel rod fixation | plaster finish | door closer with sliding rail

F1 frame – standard frame | masonry wall mounting | steel rod fixation | plaster finish | door closer with sliding rail

types of vision panels



differences between models

MODEL SINGLE HINGED

RW (C;Ctr) = 43 - 45 dB*

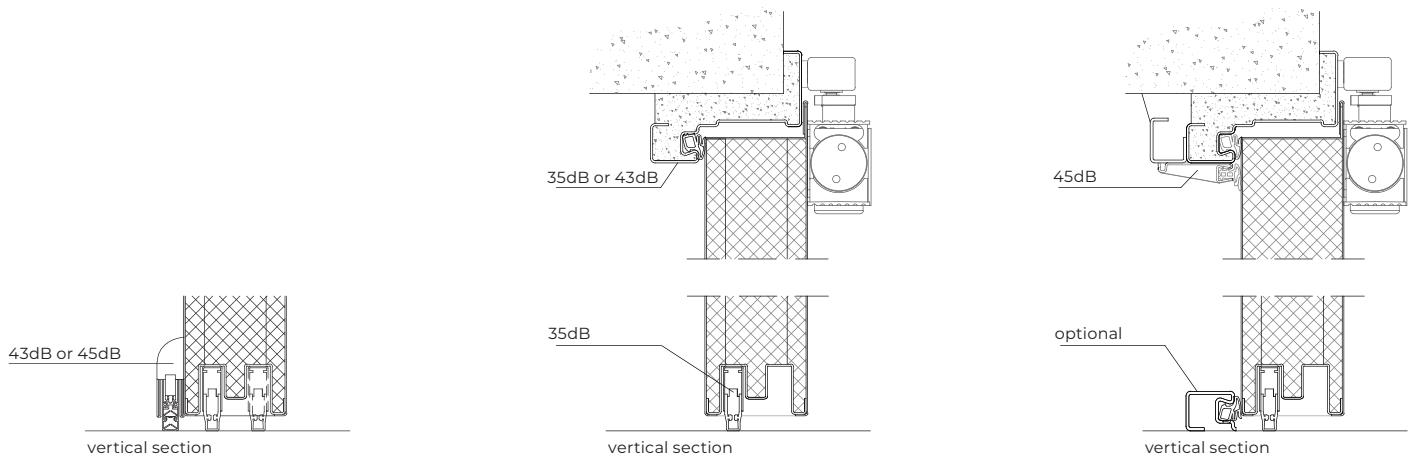
Silicone gasket on the three inner sides of the frame "GZN-S"
 Additional silicone gasket, mounted on the outer face of the frame "SD-1"
 2 automatic seals "Planet"

RW (C;Ctr) = 34 - 35 dB*

Silicone gasket on the three inner sides of the frame "GZN-S"
 1 automatic seals "Planet"

RW (C;Ctr) = 41 - 43 dB*

Silicone gasket on the three inner sides of the frame "GZN-S"
 2 automatic seals "Planet"



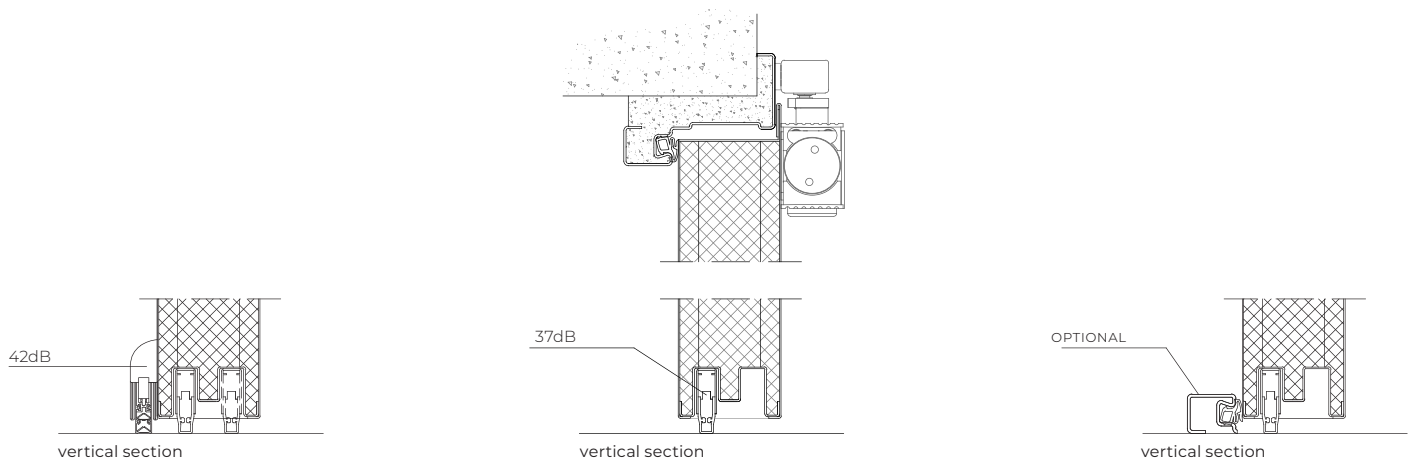
MODEL DOUBLE HINGED

RW (C;Ctr) = 40 up to 42 dB*

Silicone gasket on the three inner sides of the frame "GZN-S"
 2 automatic seals "Planet"

RW (C;Ctr) = 35 up to 37 dB*

Silicone gasket on the three inner sides of the frame "GZN-S"
 1 automatic seals "Planet"



GROUP COMPANY



TRIA SA.

Parque Ind. Manuel Lourenço Ferreira - Lt.43
3450 - 232 Mortágua, Portugal
//+351 231 927 480 //geral@tria.pt

www.tria.pt

VERS.10.22A