

Fire Stopping Compartmentation Systems

FLAMOCOL W



TRIA

description

FLAMOCOL W wraps are designed and tested to seal service penetration apertures containing plastic pipes using thermoplastic composites based on graphite intumescent technology. They have been developed to provide a high volume expansion and pressure seal during a fire.

The FLAMOCOL W wraps offers EI120 tested to EN 1366-3 the maximum diameter being 250mm. The ultra thin design of FLAMOCOL W wraps ensures that they can be installed into the tightest of locations.

FLAMOCOL W wraps can be installed into flexible walls, rigid walls, rigid floor constructions and in panel seals. They are compatible with polypropylene (PP), polyethylene (PE) and polyvinylchloride (PVC) pipes. FLAMOCOL W wraps is tested with end capping configurations that cover U/C & C/C pipes. FLAMOCOL W wraps is used around combustible pipes to form a penetration seal to reinstate the fire resistance performance of wall and floor constructions.

intended use

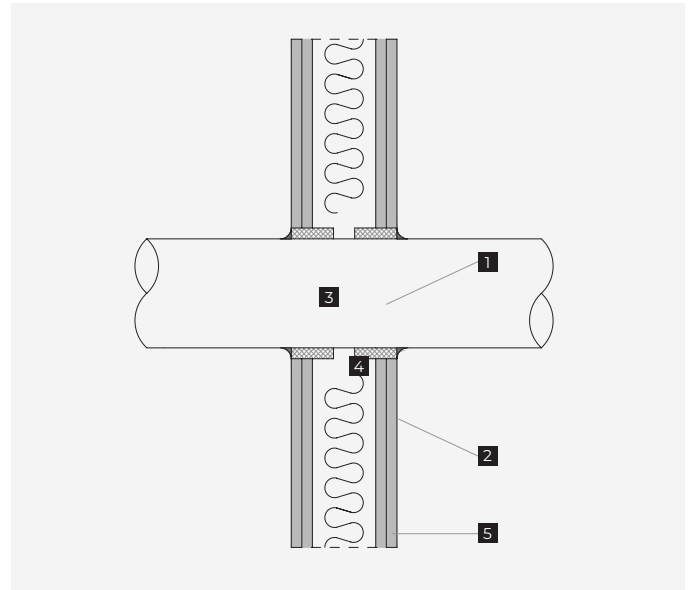
The intended use of FLAMOCOL W wraps is to reinstate the fire resistance performance of wall and floor constructions where they are penetrated by various combustible pipe services.

The specific elements of construction that the FLAMOCOL W wraps may be used is as follows:

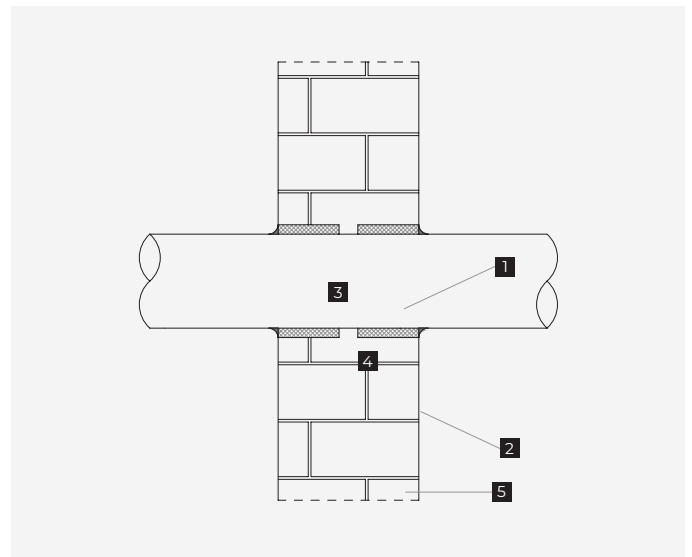
- Fire resistance testing to EN 1366-3: 2009 and EN 13501-2 EI 120.
- Fire resistance tested in flexible walls and rigid floors.
- Tested with Plastic Pipes - PVC, HDPE, PP and PE.

key product points

- Causes no known effects to plastic pipes.
 - Suitable for wall and floor installation and in Flamoseal panel.
- The product is based on an thermo plastic composite and is therefore non-toxic.
- Halogen free, contains no asbestos, ceramic or mineral fibres and is environmentally friendly.
 - Not affected by fungus, vermin or rodents.



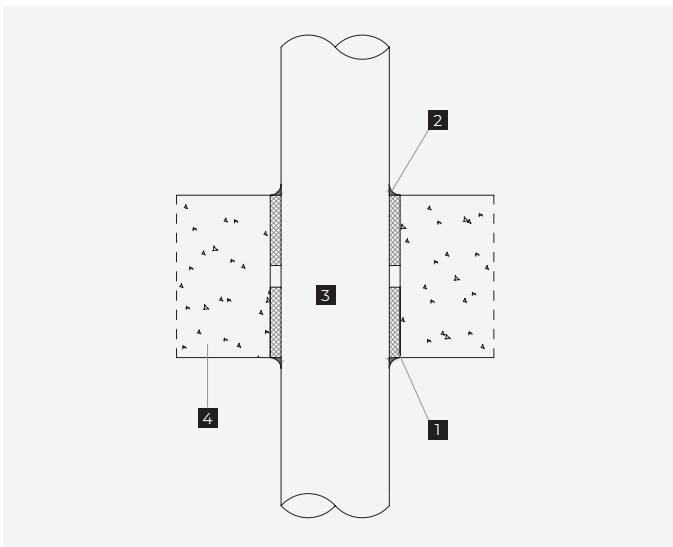
- 1 | FLAMOCOL W
- 2 | FLAMOCOUSTIC
- 3/4 | Combustible Pipe Penetration
- 5 | Flexible Fire Rating Wall



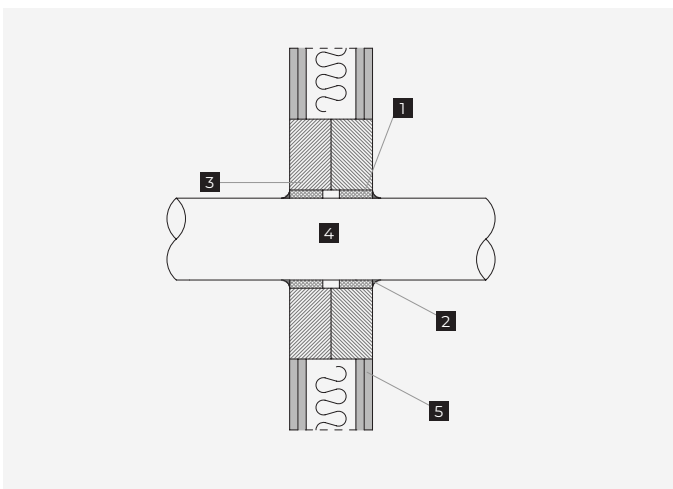
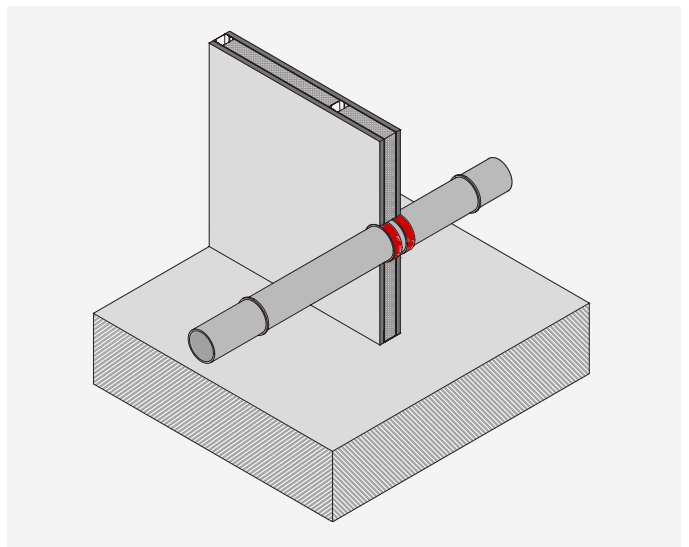
- 1 | FLAMOCOL W
- 2 | FLAMOCOUSTIC
- 3/4 | Combustible Pipe Penetration
- 5 | Rigid fire rating wall system

PRODUCT TECHNICAL DATA

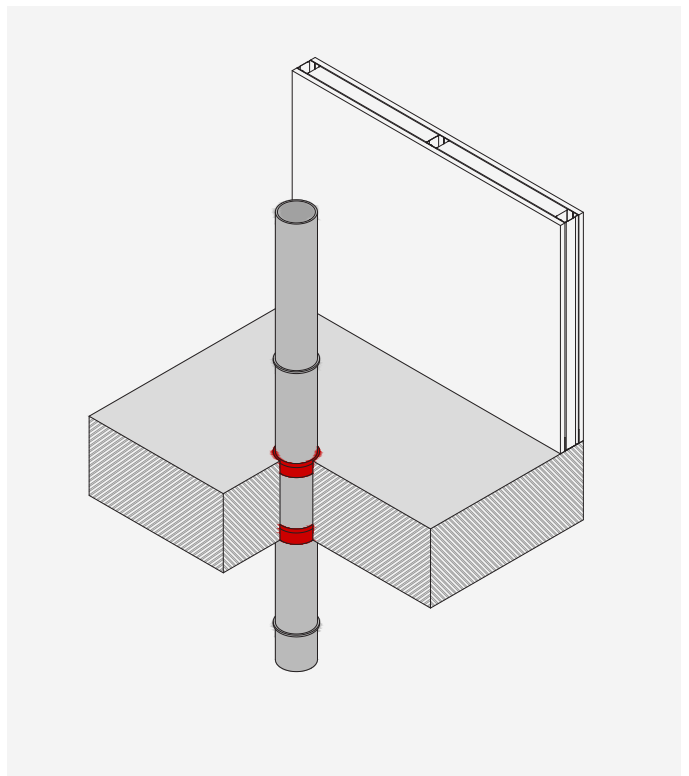
Description	Result	Test standards
Pipe Diameter	32mm, 40mm, 50mm, 55mm, 63mm, 75mm, 82mm, 90mm, 100mm, 110mm, 125mm, 140mm, 160mm, 200mm and 250mm	
Width (Nominal)	40mm	
Thickness (Nominal)	2mm at 32mm upto 12mm at 250mm	
Density	Approximately 1.2 g/cm ³	ISO 2811-1:2011
Volume Expansion	Approximately 25 times	
Expansion Pressure N/mm ²	1.30	
Fire Resistance	Up to EI 120	EN 1366-3: 2009, EN 13501-2
Expected Shelf Life	N/A	N/A



- 1 | FLAMOCOL W
- 2 | FLAMOCOUSTIC
- 3 | Combustible Pipe Penetration
- 4 | Rigid Fire Rating floor



- 1 | FLAMOCOL W
- 2 | FLAMOCOUSTIC
- 3 | FLAMOSEAL PANEL 50mm
- 4 | Combustible Pipe Penetration
- 5 | Flexible fire rating wall system



installation

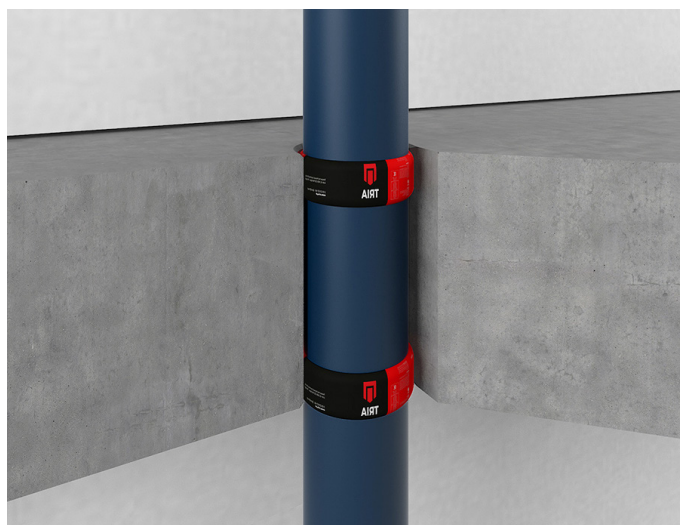
Ensure that the aperture and services in question are tested with FLAMOCOL W wraps, and the site conditions are within the application specification.

An annular space needs to be present around the service to allow sufficient installation depth.

All services and apertures need to be clean and clear of all dust and loose particles. The aperture temperature needs to be at 5°C or above at time of installation.

Upon installation make sure that you install the FLAMOCOL W wraps around the pipe leaving 5mm from the face of the surface, make sure that you fill all of the annulus with FLAMOCOUSTIC Sealant to finish of the system.

Once compacted, smooth off the FLAMOCOUSTIC Sealant to produce a professional looking finish.



substrates

All walls shall have at least the same fire resistance as that required for the sealing system.

terminology

Fire performance in accordance with EN 1366-3, EN 1366-4, Classification 13501-2, Air Permeability EN 1026, SoundEN 10140. Fire resistance classes are: E = Integrity, the product can withstand the fire from the non-fire side, I = Insulation, the product can withstand the temperature travelling down the service, U/U = Uncapped inside and outside the furnace, U/C = Uncapped inside and Capped outside the furnace, C/U = Capped inside and Uncapped outside the furnace.

flexible or rigid walls

FLAMOCOL W WRAPS, FRICTION FITTED FLUSH TO BOTH SIDES OF FLEXIBLE OR RIGID WALLS, PVC PIPES

Penetration specification	Wrap reference	Intumescent material	Annulus space (mm)	Classification
PVC Pipe 50 mm	50 mm FLAMOCOL W wraps	40 mm (W) x 2 mm (T)	4	EI 120 U/C
PVC Pipe 160 mm	160 mm FLAMOCOL W wraps	40 mm (W) x 8 mm (T)	10	I 90 U/C
PVC Pipe 200 mm	200 mm FLAMOCOL W wraps	40 mm (W) x 10 mm (T)	12	EI 120 U/C

FLAMOCOL W WRAPS, FRICTION FITTED FLUSH TO BOTH SIDES OF FLEXIBLE OR RIGID WALLS, PP PIPES

Penetration specification	Wrap reference	Intumescent material	Annulus space (mm)	Classification
PP Pipe 50 mm	50 mm FLAMOCOL W wraps	40 mm (W) x 2 mm (T)	4	EI 120 U/C
PP Pipe 160 mm	160 mm FLAMOCOL W wraps	40 mm (W) x 8 mm (T)	10	
PP Pipe 200 mm	200 mm FLAMOCOL W wraps	40 mm (W) x 10 mm (T)	12	
PP Pipe 250 mm	250 mm FLAMOCOL W wraps	40 mm (W) x 12 mm (T)	14	

FLAMOCOL W WRAPS, FRICTION FITTED FLUSH TO BOTH SIDES OF FLEXIBLE OR RIGID WALLS PE PIPES

Penetration specification	Wrap reference	Intumescent material	Annulus space (mm)	Classification
PVC Pipe 50 mm	50 mm FLAMOCOL W wraps	40 mm (W) x 2 mm (T)	4	EI 120 U/C
PVC Pipe 160 mm	160 mm FLAMOCOL W wraps	40 mm (W) x 8 mm (T)	10	EI 90 U/C
PVC Pipe 200 mm	200 mm FLAMOCOL W wraps	40 mm (W) x 10 mm (T)	12	EI 120 U/C

FLAMOCOL W WRAPS, INSTALLED INTO FLAMOSEAL 50MM PANEL IN FLEXIBLE WALL, PE, ABS & SAN+PVC

Aperture size	Seal composition	Services	Pipewrap reference	Intumescent material	Capping	Penetration formation	Classification
600mm x 600mm	Pattern installation of 50mm thick 140kg/m ³ Flamoseal Coated panel.	40 mm	FLAMOCOL W wraps 40	2mm - 40mm width x 2	U/C	Cluster Formation of Pipes with 0mm separation.	EI 60
		200 mm	FLAMOCOL W wraps 200	10mm - 40mm width x 2			

FLAMOCOL W WRAPS, FRICTION FITTED FLUSH TO BOTH SIDES (TOP AND BOTTOM) OF RIGID FLOOR, PVC PIPES

Penetration specification	Wrap reference	Intumescent material	Annulus space (mm)	Classification
PVC Pipe 50 mm	50 mm FLAMOCOL W wraps	1 Layer of 40 mm (W) x 2 mm (T) 1 Layer of 40 mm (W) x 2 mm (T) Combined Thickness 40 mm (W) x 4 mm (T)	4	EI 120 U/C
PVC Pipe 200 mm	200 mm FLAMOCOL W wraps	40 mm (W) x 10 mm (T)	12	EI 120 U/C

FLAMOCOL W WRAPS, FRICTION FITTED FLUSH TO BOTH SIDES (TOP AND BOTTOM) OF RIGID FLOOR, PP PIPES

Penetration specification	Wrap reference	Intumescent material	Annulus space (mm)	Classification
PP Pipe 50 mm	50 mm FLAMOCOL W wraps	1 Layer of 40 mm (W) x 2 mm (T) 1 Layer of 40 mm (W) x 2 mm (T) Combined Thickness 40 mm (W) x 4 mm (T)	4	EI 120 U/C
PP Pipe 200 mm	200 mm FLAMOCOL W wraps	40 mm (W) x 10 mm (T)	12	EI 120 U/C

FLAMOCOL W WRAPS, FRICTION FITTED FLUSH TO BOTH SIDES (TOP AND BOTTOM) OF RIGID FLOOR, HDPE PIPES

Penetration specification	Wrap reference	Intumescent material	Annulus space (mm)	Classification
HDPE Pipe 50 mm	50 mm FLAMOCOL W wraps	1 Layer of 40 mm (W) x 2 mm (T) 1 Layer of 40 mm (W) x 2 mm (T) Combined Thickness 40 mm (W) x 4 mm (T)	4	EI 120 U/C
HDPE Pipe 200 mm	200 mm FLAMOCOL W wraps	40 mm (W) x 10 mm (T)	12	EI 120 U/C

information

TRIA has Technical Representatives who provide assistance in the selection and specification of TRIA products. For more information, specification and technical advice please call our Head Office geral@tria.pt. Guarantee / Warranty: TRIA products are manufactured to rigid standards of quality. Any product which has been applied in accordance with TRIA's written instructions and in any application

recommended by TRIA, but which is proved to be defective in product quality, will be replaced free of charge. No liability can be accepted for the information provided in this document although it is published in good faith and believed to be correct. TRIA reserves the right to alter product specifications without prior notice, in line with our Company policy of continuous development and improvement.

COMPANY OF THE GROUP



TRIA - Serviços, Materiais e Equipamentos, SA.
Parque Ind. Manuel Lourenço Ferreira - Lt.43
3450 - 232 Mortágua
//+351 231 927 480 //geral@tria.pt
www.tria.pt

VER.12.22